

Donald S. Glickman
Executive Director

217/782-2864

Memorandum for Distribution



From: Donald S. Glickman
Executive Director *DG*
Capital Development Board

Subject: Revisions to the Accessibility Standards Illustrated

Date: July, 1980

On July 10, 1980, the Board adopted revisions to certain Sections of the Accessibility Standards Illustrated. The revisions were filed with the Secretary of State's office on July 11, 1980, as Emergency Rules and became effective immediately for a period of 150 days (until December 8, 1980). The revisions were simultaneously filed as Proposed Rules and will be adopted in the future pursuant to provisions of the Illinois Administrative Procedure Act, Chapter 127, paragraph 1001 et seq. and the Illinois Facilities for the Handicapped Act, Illinois Revised Statutes, Chapter 111½, paragraph 3704.

The revisions represent an attempt to provide clarifications and modifications to expedite the implementation of the Standards. In large part, the revisions are aimed at those portions of the Standards which apply to the remodeling of existing buildings. Every effort has been made to adopt the revisions for state-wide applications and to make them cost effective while consistent with the intent of the Standards.

These proposed revisions are endorsed by the members of the Handicapped Subcommittee of the Mayor's Commission on Building Code Amendments, CDB staff, the Illinois Association of Realtors, the Builder's Association of Chicago, the Building Managers Association of Chicago, the Chicago Committee on High Rise Buildings, the Chicago Chapter of the American Institute of Architects, the staffs of the Illinois Council, Congress of Organization of the Physically Handicapped and the Rehabilitation Institute of Chicago.

The following Sections were revised:

Section 4.2.1 – Door Handles
4.2.6 – " "
5.1.7 – Interior Circulation Routes
6.1.5 – Ramps
6.1.8 – "
Table 6.1.1 – Ramps
Figure 6.1.7 – "
6.2.1 – Stairs
6.2.3 and Figure 6.2.3a – Stairs
6.2.6 – "
6.2.9 – "
All of Chapter 7 – Vertical Circulation

Section 8.1 – Public Toilets
8.1.7 and Figure 8.1.7a, b and c – Public Toilets
8.1.9 – “ ”
8.1.12 – “ ”
12.1.2 – Signage
12.2.3 – Emergency Warning Signals and Alarms
16.8 and Figure 16.8.3 – Service Counters, Seating, Fixed Tables and
Work Surfaces
16.9.2 – Dining Halls, Restaurants
All of Section 17 – Remodeling

There were no changes in the following Sections:

Section 1 – General Information
2 – Human Data
3 – Site Development
9 – Drinking Fountains
10 – Shower Rooms
11 – Public Telephones
13 – Ground and Floor Surfaces
14 – Building Products
15 – Appliances for Public Use
18 – Historic Preservation and Historic Reconstruction

Attached hereto is the text of the Emergency Rules as published in the Illinois Register on July 25, 1980. Strike-outs indicate deletions and underlining indicates new material. For purposes of clarification, existing text within the Section is included. Additionally, attached are all Amendments adopted subsequent to the publication of the Standards, but prior to these revisions.

DSG/SF/mm/**

CAPITAL DEVELOPMENT BOARD

TEXT OF EMERGENCY RULES

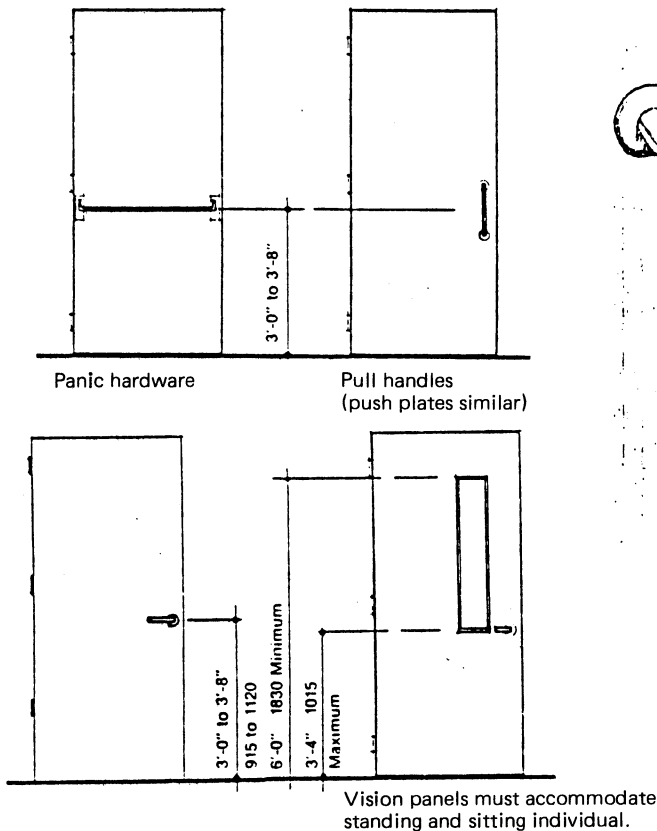
4.2 DOOR HANDLES

Doors shall be operable without movements requiring a tight grasp, complex hand movements, or the exertion of great force. Automatic doors shall be safe and usable by the majority of people, including the handicapped.

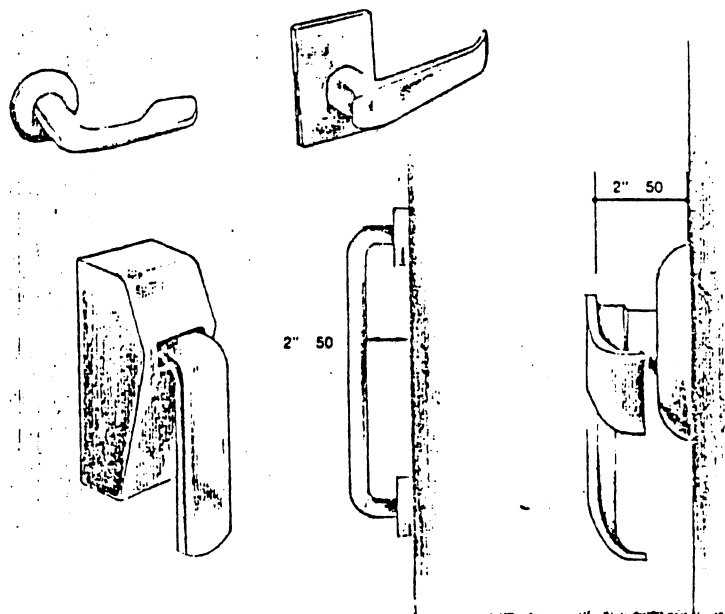
~~4.2.1 — All manual door openers shall have a lever design or other shape which does not require grasping and twisting of the wrist as the only means of operation. They shall be mounted 3'-0" to 3'-8" from the floor surface to the center of the actuating portion of the device, see Figure 4.2.1.~~

4.2.1 All manual door openers shall have a lever design or other shape which does not require grasping and twisting of the wrist as the only means of operation. They shall be mounted 3'-0" to 3'-8" from the floor surface to the center of the actuating portion of the device, see Figure 4.2.1.

Requirements of this Section for the design and shape of manual door openers becomes fully effective July 1, 1981.



Mounting height of manual door openers
Figure 4.2.1 A



Typical examples of manual door openers that do not require grasping and twisting of the wrist as the only means of operation

Figure 4.2.1 B

4.2.2 Manual door openers shall be designed with no sharp corners or edges. The opener shall be chosen that minimizes the catching of clothes on the device.

ILLINOIS REGISTER

CAPITAL DEVELOPMENT BOARD

TEXT OF EMERGENCY RULES

- 4.2.3 Clearance between the handle and the door shall be a minimum of 2" to allow the door to be pulled open by using the arm.
- 4.2.4 Where door push plates are an integral part of the door stile, the push plate shall be of a contrasting color.
- 4.2.5 Where the door opening device is a bar extending from stile to stile, the side of the bar to be pulled or pushed shall be distinguished with a change of color and texture.
- ~~4.2.6 The hardware provided for doors into fire stairs, fire corridors or exits and hazardous areas, e.g., electrical switchrooms, shall be provided with a change in texture, either by knurling or by applying an abrasive finish to the handle, see Section 12.2.3, Emergency Warning Signals and Alarms.~~
- 4.2.6 The hardware provided for doors into hazardous areas (e.g., loading platforms, boiler rooms, electrical switchrooms, stages, etc.), shall be provided with a change in texture, either by knurling or by applying an abrasive finish to the handle.

5.1 INTERIOR CIRCULATION ROUTES

• • •

- 5.1.7 Entry control devices shall not prevent access by handicapped persons. When turnstiles or narrow gates are required, alternate access shall be provided immediately adjacent the turnstile.

6.1 RAMPS

If possible, alternative design solutions to ramps should be provided because of the substantial energy demands required to negotiate them by those in wheelchairs, plus the difficulties encountered by amputees and others with gait problems on ascent and descent. Stairs or elevators should be provided in addition to ramps. Ramps shall allow unrestricted traffic flow, and be free of hazards. All ramps constructed in a building or facility and site shall meet the requirements of this standard.

- 6.1.1 Any part of a circulation path shall be considered a ramp if it has a slope that is greater than 1:20. Revised Table 6.1.1 gives allowable slopes and maximum lengths. All ramps in a rampway shall have identical slopes. A slope of 1:20 is preferred for ramps of all lengths. The maximum slope of ramps shall be 1:12 in new construction. Ramps of 1:8 and 1:10 may be used where existing physical constraints prevent the construction of more gradually sloped ramps.

ILLINOIS REGISTER

CAPITAL DEVELOPMENT BOARD

TEXT OF EMERGENCY RULES

TABLE 6.1.1 ALLOWABLE SLOPES AND MAXIMUM LENGTHS OF RAMPS

Allowable Slope	Maximum Rise in a Single Ramp Segment	Total Number of Ramp Segments Permitted	Total Rise That Can Be Accomplished	Maximum Length of a Single Ramp Segment	Total Length of Ramp Permitted	Use
1:8	6"	1	6"	4'-0"	4'-0"	Curb ramps when it is impossible to achieve slope of 1:12 or 1:10 because of site constraints.
1:10	9"	1	9"	7'-6"	7'-6"	Curb ramps when it is impossible to achieve a slope of 1:12 because of site constraints.
1:12	2'-6"	2	5'-0"	30'-0"	60'-0" plus landing	Curb ramps and ramps.
1:16	2'-6"	4	10'-0"	40'-0"	160'-0" plus landing	Curb ramps and ramps.

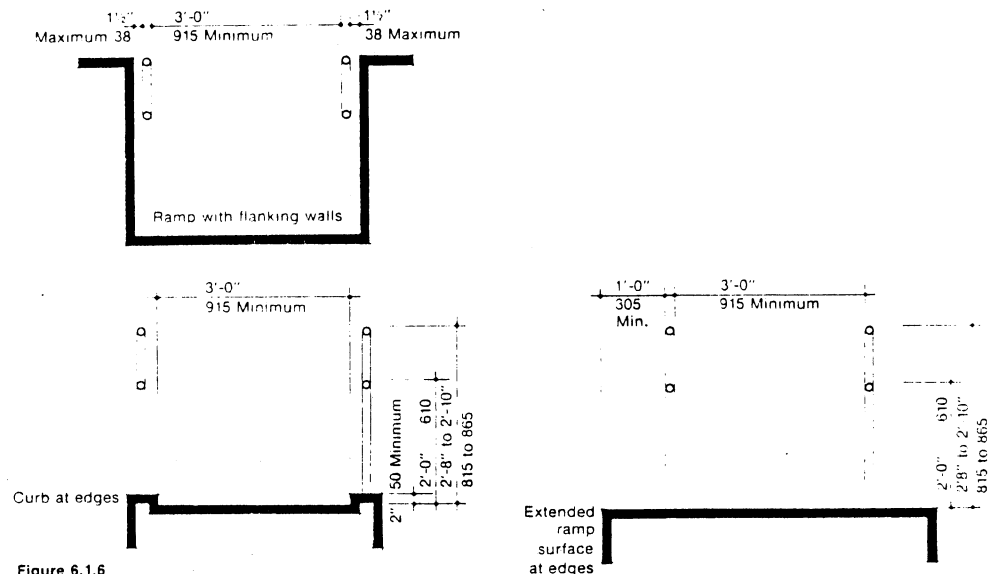
REVISED TABLE 6.1.1 ALLOWABLE SLOPES AND MAXIMUM LENGTHS OF RAMPS

Allowable Slope	Maximum Rise in a Single Ramp Segment	Total Number of Ramp Segments Permitted	Maximum Length of a Single Ramp Segment	Total Length of Ramp Permitted	Use
1:8	6"	1	4'-0"	4'-0"	Curb ramps when site constraints prohibit 1:12 or 1:10 slope.
1:10	9"	1	7'-6"	7'-6"	Curb ramps when site constraints prohibit 1:12 slope.
1:12	2'-6"		30'-0"		Curb ramps and ramps.
1:16	2'-6"		40'-0"		Curb ramps and ramps.
1:20	2'-6"		50'-0"		Curb ramps and ramps.

CAPITAL DEVELOPMENT BOARD

TEXT OF EMERGENCY RULES

- 6.1.2 All ramps occurring along a permanent accessible path of travel or fire exit shall be of permanent fixed construction.
- 6.1.3 Exterior ramps shall not begin or end in an area where standing water will accumulate on the walking surfaces.
- 6.1.4 Weepholes in retaining walls abutting exterior ramps shall not drain across the surface of the ramp.
- 6.1.5 ~~All ramps with a rise greater than 9", except curb ramps, shall have handrails on both sides. The handrails shall be 2'-6" to 2'-10" in height, measured vertically from the surface of the ramp, and shall extend at least 1'-0" beyond the top and bottom of the ramp segment. Handrails shall be continuous along the rampway. If children are principal users of the building, then a second set of handrails shall be provided at a height of 2'-0". Handrails shall comply with Section 6.3, Handrails and Guardrails.~~
- 6.1.5 All ramps with a rise greater than 9", except curb ramps, shall have handrails on both sides. The handrails shall be 2'-6" to 2'-10" in height, measured vertically from the surface of the ramp, and shall extend at least 1'-0" beyond the top and bottom of the ramp segment. The inside handrail on switchback or dogleg ramps shall be continuous and need not provide the 1'-0" extension except at the top and bottom of the ramp segment. A second set of handrails shall be provided at a height of 2'-0" in elementary schools, nursery schools, and day care centers. Handrails shall be continuous along the ramp segment. Handrails shall comply with Section 6.3, Handrails and Guardrails.
- 6.1.6 Wheelchairs, walking aids and feet shall be protected from slipping off the edges of the ramp. See Figure 6.1.6.



CAPITAL DEVELOPMENT BOARD

TEXT OF EMERGENCY RULES

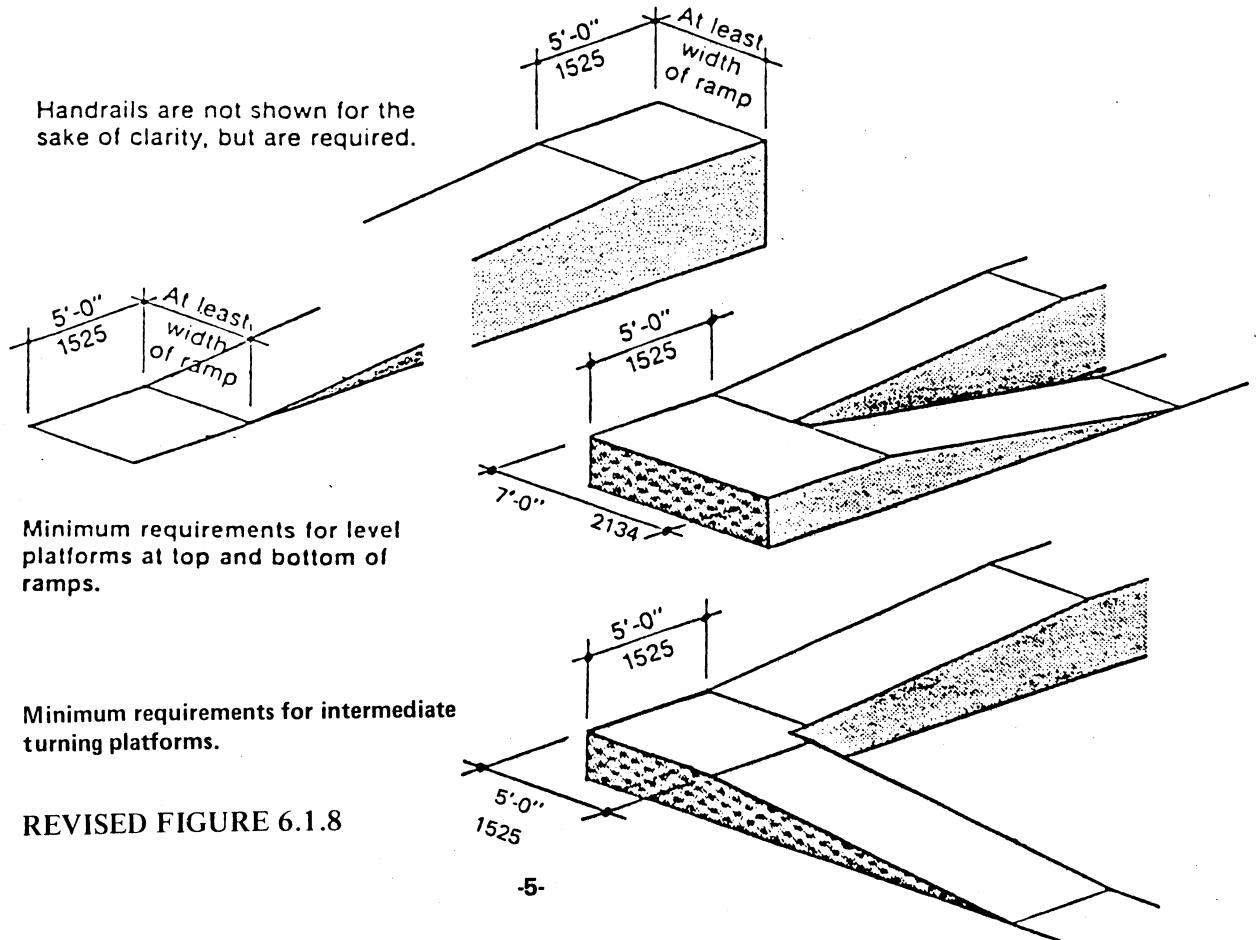
6.1.7 Ramps shall have a minimum clear width of 3'-0". Where passing of wheelchairs can be expected on the ramp, the minimum clear width shall be 5'-0".

6.1.8 Ramps shall have level platforms at the bottom and the top of each run, at least 5'-0" long and be at least as wide as the ramp. Intermediate platforms shall be 3'-0" minimum between each ramp segment. See Table 6.1.1 for the maximum allowable lengths of ramp segments.

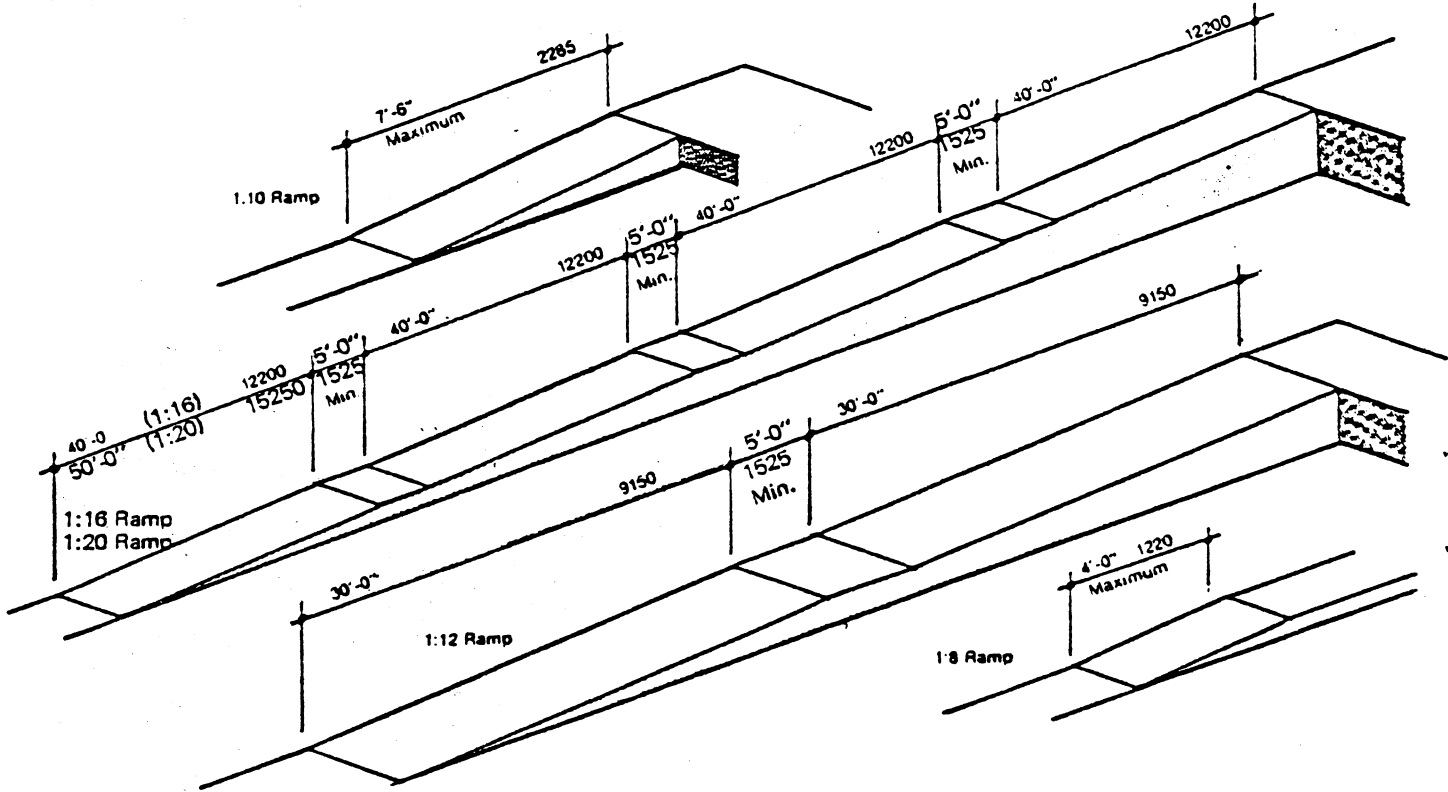
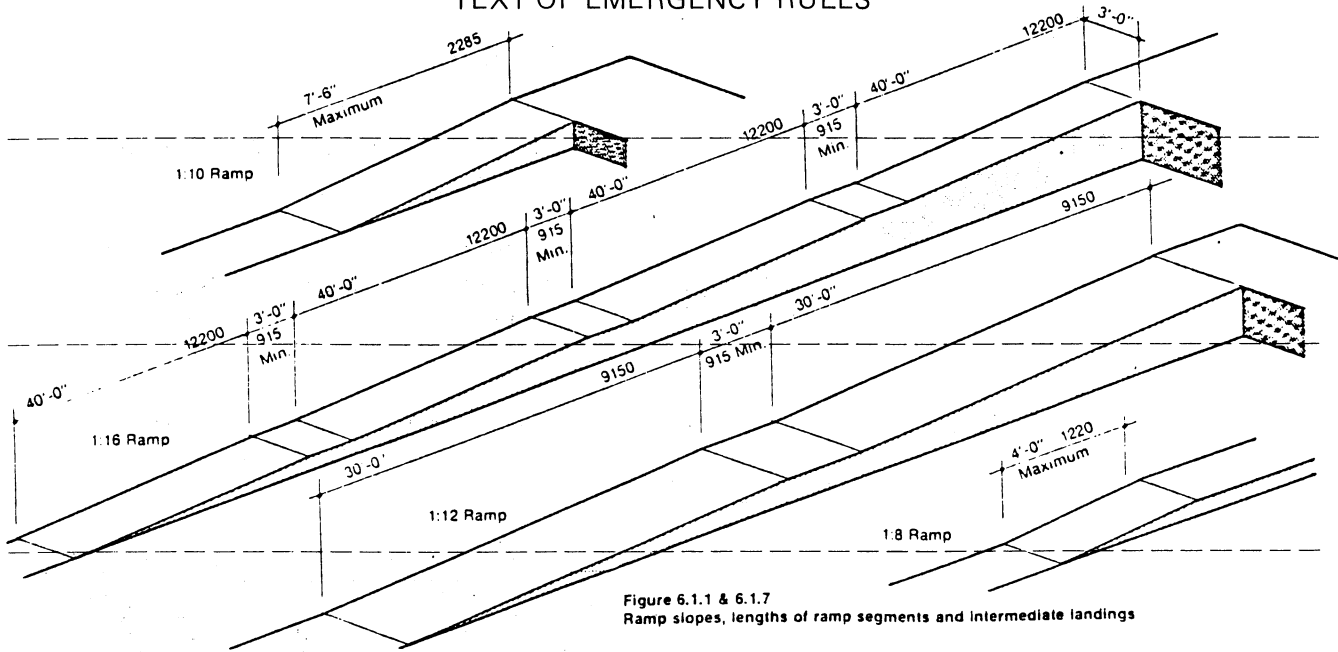
Intermediate platforms shall be a minimum of 5'-0" deep and 8'-0" wide to allow wheelchair maneuvering through 180°, and at least 5'-0" deep and 4'-0" wide for turns of 90°. See Figure 6.1.8.

6.1.8 Ramps shall have level platforms at the bottom and the top of each run, at least 5'-0" long and be at least as wide as the ramp. Intermediate platforms shall be 5'-0" minimum between each ramp segment. See Revised Table 6.1.1 for the maximum allowable lengths of ramp segments.

Intermediate turning platforms shall be a minimum of 5'-0" in length and 7'-0" wide to allow wheelchair maneuvering through 180 degrees, and at least 5'-0" long in both directions for turns of 90 degrees. See Revised Figure 6.1.8.



CAPITAL DEVELOPMENT BOARD
TEXT OF EMERGENCY RULES



CAPITAL DEVELOPMENT BOARD

TEXT OF EMERGENCY RULES

6.1.9 If doorways are located at the platforms, the area in front of the doorway shall comply with Section 4.1.1, Doorways. If doors open out onto the ramp platform, a level area at least 5'-0" deep and 5'-0" wide shall be provided. See Figure 6.1.9.

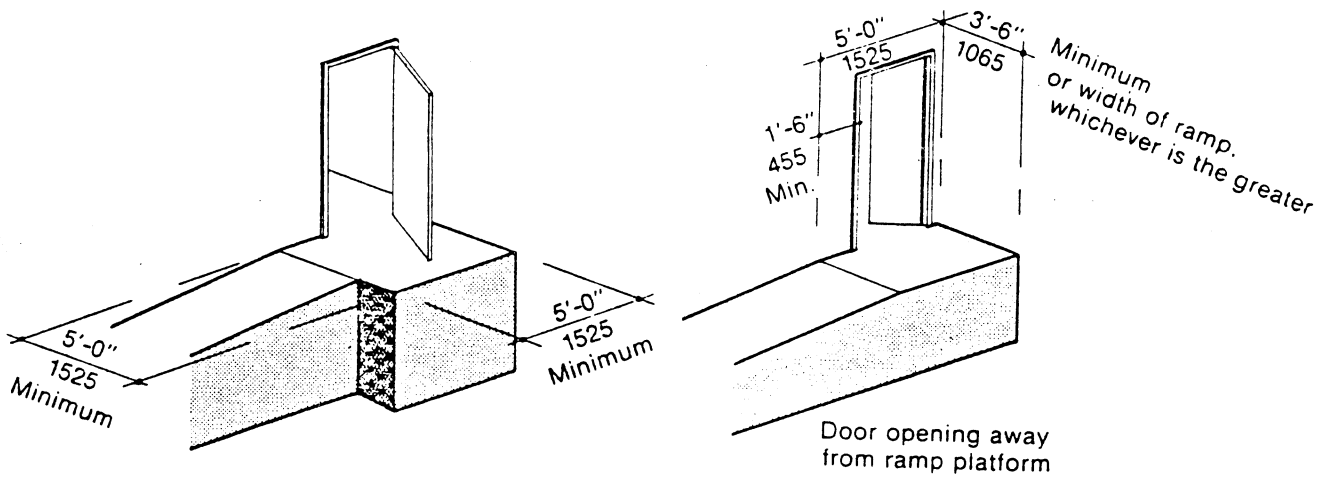


Figure 6.1.9
Minimum requirements for level platforms with door openings adjacent

6.1.10 The ramp surface shall be slip resistant. See Section 13.1.5, Ground and Floor Surfaces.

6.1.11 No object shall be hung from above or the sides that projects into a rampway lower than 7'-6" from the surface of the ramp or landing. Below this height, no object shall project into a rampway other than the handrails.

6.2 STAIRS

~~6.2.1 Stair risers shall be no less than 4" high nor more than 7" high, measured from tread to tread. The minimum width of the tread shall be 11" from nosing to nosing. Stair proportions shall conform to Figure 6.2.1 in order to accommodate the natural, informal gait.~~

6.2.1 All stairs, except as exempted below, shall comply with this section. Stair risers shall be no less than 4" high nor more than 7" high, measured from tread to tread. The minimum width of the tread shall be 11" from nosing to nosing. Stair proportions shall conform to Figure 6.2.1 in order to accommodate the natural informal gait - shown graphically in range from 11" to 14".

EXEMPTION: Exit Stairs which are required by other applicable codes to be separated from all other spaces of the building or structure by construction or equipment having a

ILLINOIS REGISTER

CAPITAL DEVELOPMENT BOARD

TEXT OF EMERGENCY RULES

minimum of 1-hour fire resistant rating may have maximum 7½" risers and a minimum tread width of 10".

Escalators shall not be considered as stairs.

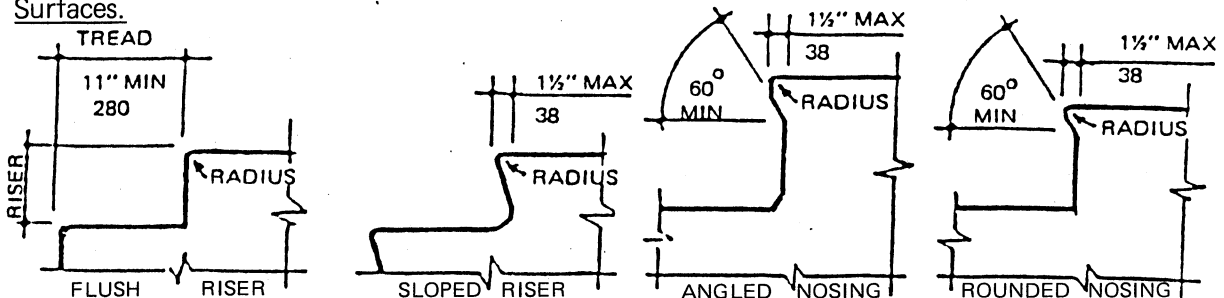
FIGURE 6.2.1
ACCEPTABLE RANGE OF TREAD/RISER RELATIONSHIPS

TREAD WIDTH IN FEET AND INCHES						RISER		TREAD WIDTH IN MM							
1'-2"	1'-1½"	1'-1"	1'-0½"	1'-0"	11½"	11"	INCHES	MM	279	292	305	318	330	343	356
							7	178							
							6½	165							
							6	152							
							5½	140							
							5	127							
							4½	114							
							4	102							

6.2.2 All risers and treads shall have uniform dimensions on any given flight of stairs.

6.2.3 Stair treads shall not have abrupt or squared nosing configurations. The maximum nosing projection shall be 1½". The radius of curvature at the edge of the tread shall be no greater than ½". The edge of the nosing shall be clearly distinguishable, see Section 13.1.4, Ground and Floor Surfaces.

6.2.3 Stair treads shall not have abrupt or squared nosing configurations. The leading edge of the tread shall have a radius of curvature no greater than ½" (13mm). Risers shall be sloped or formed with the underside of the nosing at an angle not exceeding 30 degrees from the vertical. Nosings shall project no more than 1½" (38mm). See Revised Figure 6.2.3A. The edge of the nosing shall be clearly distinguishable, see Section 13.1, Ground and Floor Surfaces.



EXAMPLES OF ACCEPTABLE TREAD-RISER-NOSING CONDITIONS

REVISED FIGURE 6.2.3 A

6.2.4 Where a stairway intersects a circulation path at right angles, the first riser shall be set back at least 2'-6" from the circulation route. Tactile warning cues for the blind shall be located from the edge of the path of travel to the top nosing of the stair, see Section 12.3, Tactile Floor Surface Alerts, and Figure 6.2.4.

CAPITAL DEVELOPMENT BOARD

TEXT OF EMERGENCY RULES

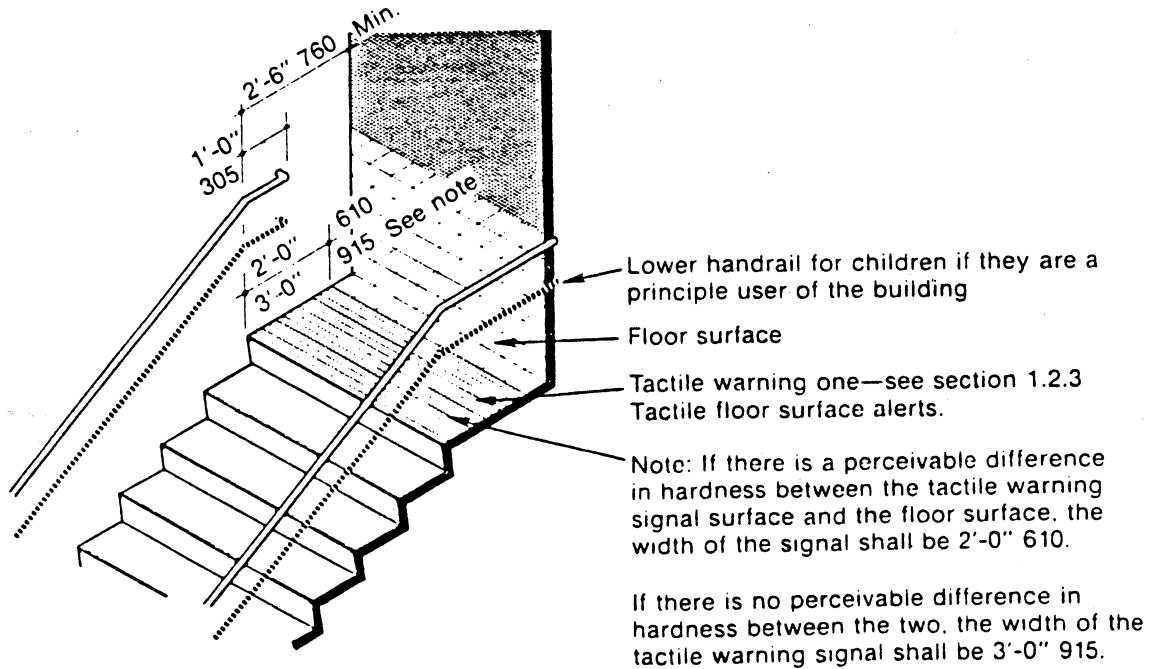


Figure 6.2.4
Requirements for a stairway intersecting a circulation route

6.2.5 Stair treads shall have surfaces which are non-slip, see Section 13.1.4, Ground and Floor Surfaces.

~~6.2.6 Stairs shall have continuous handrails at both sides, and shall be located 2'-6" to 2'-10" measured vertically from the surface of the tread. Where children are the principal users of a building, a second set of handrails shall be provided at a height of 2'-0" measured vertically from the surface of tread. Handrails shall extend a minimum of 1'-0" beyond the top riser and 1'-0" plus the tread width beyond the bottom riser. The extension shall be parallel with the landing floor surface, see Figure 6.2.6. Handrails shall comply with Section 6.3, Handrails and Guardrails.~~

6.2.6 Stairways shall have continuous handrails on both sides, intermediate handrails as required by Section 6.3.8, and shall be located 2'-6" to 2'-10" measured vertically from the surface of the tread 1" back from the leading edge of nosing. A second set of handrails shall be provided at a height of 2'-0" in elementary schools, nursery schools, and day care centers. Handrails, except for Exit Stairs exempted under Section 6.2.1, shall extend a minimum of 1'-0" beyond the top riser and 1'-0" plus the tread width beyond the bottom riser except the inside handrail on switchback or dogleg stairs which shall be continuous and not require the horizontal extensions. Handrail extensions shall be parallel with the landing floor surface, see Figure 6.2.6. Guardrails (guards) shall be provided as required by other applicable

CAPITAL DEVELOPMENT BOARD

TEXT OF EMERGENCY RULES

codes except as called for by Section 6.3. Handrails shall comply with Section 6.3, Handrails or Guardrails.

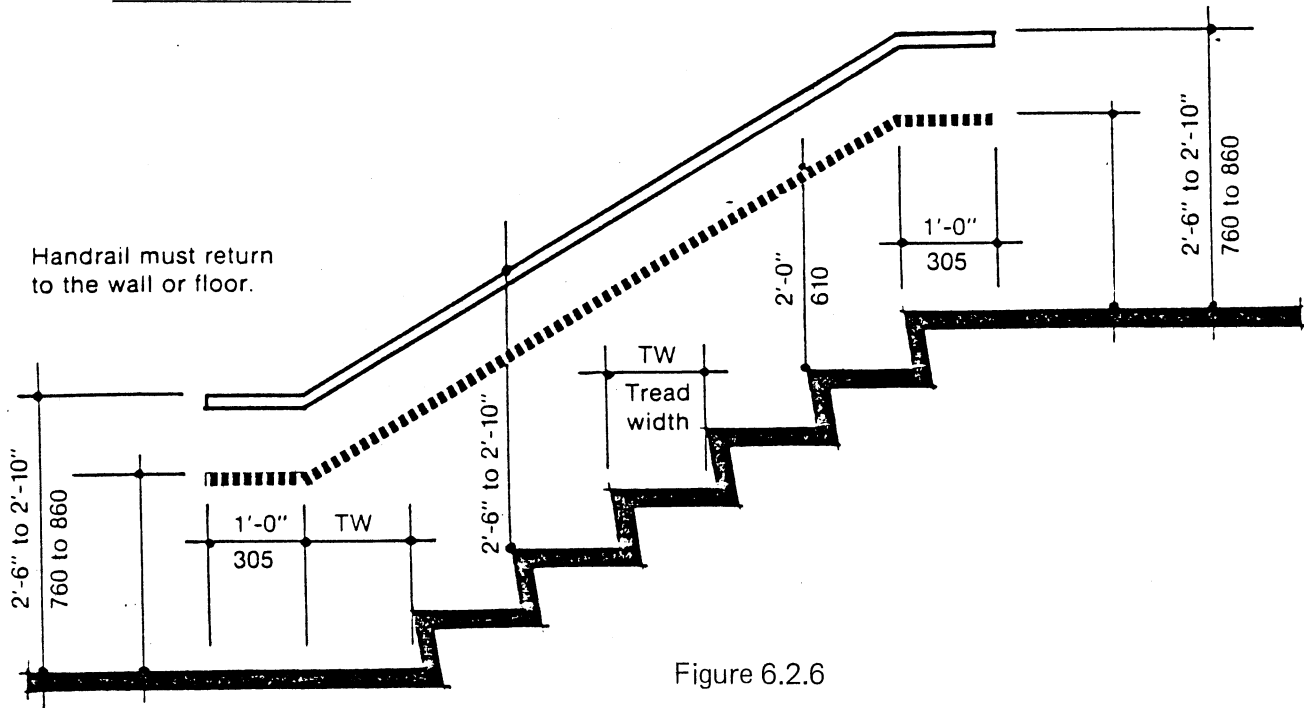


Figure 6.2.6

- 6.2.7 Exterior stairs shall not begin or end in an area where standing water will accumulate on the walking surfaces.
- 6.2.8 Weepholes in retaining walls abutting exterior stairs shall not drain across the surfaces of the treads.
- ~~6.2.9 No object shall be hung from above or the sides that projects into a stairway lower than 7'-6" from the surface of any tread or landing, measured vertically. Below that height no object shall project into a stairway other than handrails, stair stringers and door hardware.~~
- 6.2.9 No object shall be hung from above or the sides that projects into a stairway lower than 6'-8" from the surface of any tread or landing, measured vertically. Below that height no object shall project into a stairway other than handrails, stair stringers and door hardware.
- 6.2.10 When a circulation space occurs beneath a stair, a barrier shall be provided to prevent persons from hitting their heads on any part of the stair. Any part of the flight of stairs occurring below a height of 7'-6" measured to the floor shall be so protected. See Figure 6.2.10.

CAPITAL DEVELOPMENT BOARD

TEXT OF EMERGENCY RULES

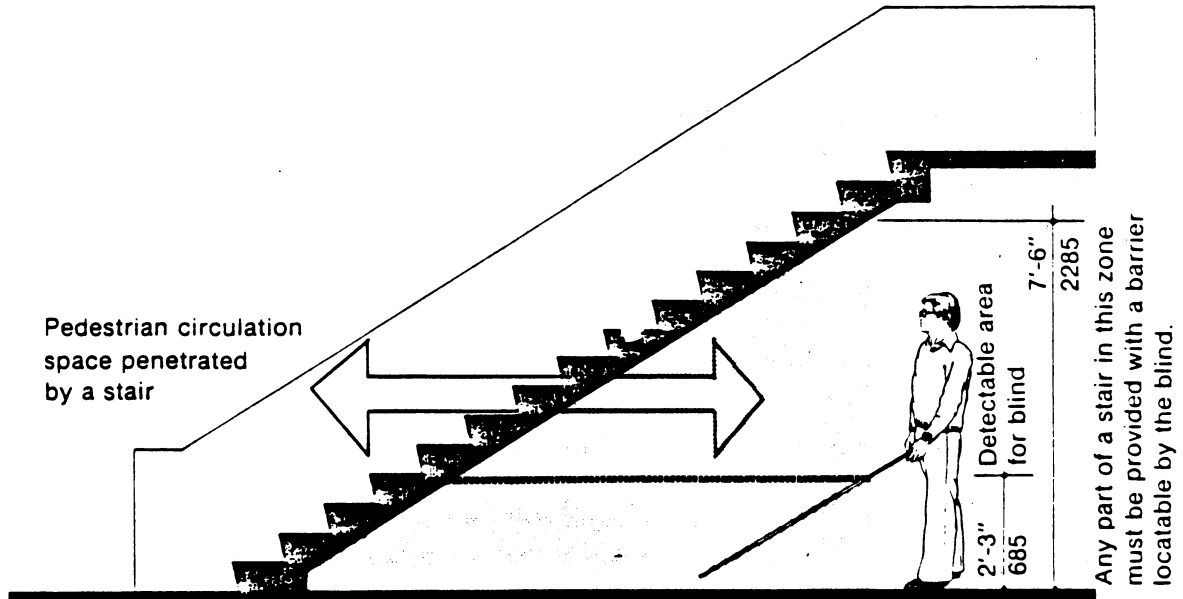


Figure 6.2.10
Pedestrian circulation space penetrated by a stair

7. VERTICAL CIRCULATION

7.1 ELEVATORS

All passenger elevators and elevator lobbies shall be accessible. Elevators shall comply with the American National Safety Code for Elevators, Dumbwaiters, Escalators and Moving Walks, ANSI A17.1-1971.

7.1.1 Elevator lobbies shall be located adjacent to direct and accessible paths of travel from the entrance and all major areas of the building. Directional signs shall be provided when the elevator location is not obvious, see Section 12.1, Signage.

7.1.1 GENERAL

If elevators are provided, all passenger elevators shall be on an accessible route and shall comply with 7.1 and with the American National Standard Safety Code for Elevators, Dumbwaiters, Escalators, and Moving Walks, ANSI A17.1-1978 and A17.1a-1979. This standard does not preclude the use of residential or fully enclosed wheelchair platform lifts when appropriate and approved by administrative authorities as provided in Section 7.2.

ILLINOIS REGISTER

CAPITAL DEVELOPMENT BOARD

TEXT OF EMERGENCY RULES

~~7.1.2 No rigid, hard object shall project into the elevator lobby space unless the dimension from the bottom edge of the object to the floor surface is at least 7'-6". Below this height, protruding objects which project more than 4" from a wall or column must:~~

~~a. -- continue to the floor; or~~

~~b. -- to within 8" of the floor; or~~

~~c. -- be located in protected areas which are recessed or enclosed by wing walls. Such a protected area shall have a contrasting floor texture and color.~~

~~d. -- Doors and door closers do not have to conform to this requirement.~~

7.1.2 AUTOMATIC OPERATIONS

Elevator operation shall be automatic. Each car shall be equipped with a self-leveling feature that will automatically bring the car to floor landings with a tolerance of 1/2-in (13mm) under rated loading to zero loading conditions. This self-leveling feature shall be automatic and independent of the operating device and shall correct for overtravel or undertravel.

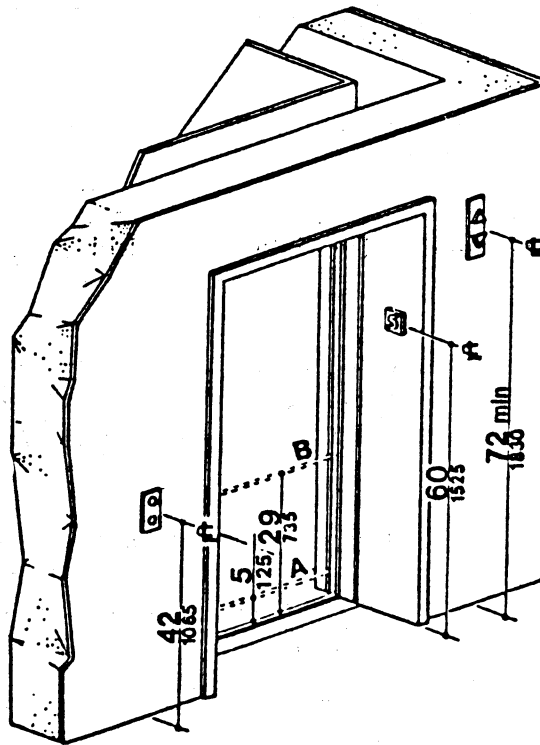
~~7.1.3 The floor surface of the lobby shall meet the requirements of Section 13.1, Ground and Floor Surfaces, to provide a surface that provides easy maneuverability for those in wheelchairs.~~

7.1.3 HALL CALL BUTTONS

Call buttons in elevator lobbies and halls shall be centered at 42-in (1065mm) above the floor. Such call buttons shall have visual signals to indicate when each call is registered and when each call is answered. Call buttons shall be a minimum of 3/4-in (19mm) in the smallest dimension. The button designating the up direction shall be on top (see Revised Figure 7.1.3).

CAPITAL DEVELOPMENT BOARD

TEXT OF EMERGENCY RULES



NOTE: The automatic door reopening device is activated if an object passes through either line A or line B. Line A and line B represent the vertical locations of the door reopening device not requiring contact.

HOISTWAY AND ELEVATOR ENTRANCES

REVISED FIGURE 7.1.3

7.1.4 All elevator hoistway entrances shall have floor designations provided at each jamb. The centerline of these characters shall be located 5'-0" from the floor. The size of the characters shall be a minimum of 2" high and shall be raised at least 1/32". The character shall be of a contrasting color with the surface on which it is mounted, preferably a light color on a dark background. Permanently applied plates are acceptable.

ILLINOIS REGISTER

CAPITAL DEVELOPMENT BOARD

TEXT OF EMERGENCY RULES

7.1.4 HALL LANTERNS

A visible and audible signal shall be provided at each hoistway entrance to indicate which car is answering a call. Audible signals shall sound once for the up direction and twice for the down direction, or shall have verbal annunciators that say "up" or "down". Visible signals shall have the following features:

1. Hall lantern fixtures shall be mounted so that their centerline is at least 72-in (1830 mm) above the lobby floor.
2. Visual elements shall be at least 2½-in (64mm) in the smallest dimension.
3. Signals shall be visible from the vicinity of the hall call button. (See Revised Figure 7.1.3). In-car lanterns located in cars, visible from the vicinity of hall call buttons, and conforming to the above requirements, shall be acceptable.

~~7.1.5 All elevator lobbies shall have the call buttons located so that the centerline of the buttons is 3'-6" from the floor surface. Where only one call button is required, the mounting height shall be 3'-6" to the center of the button. Call buttons at the main entrance and transfer floors shall be identified by a sign indicating the floors served by such elevators. This sign shall have characters raised at least 1/32" from the surface, have sharply defined edges, and shall be at least ½" high. The characters shall be a contrasting color to the background, preferably a light color on a dark background.~~

7.1.5 RAISED OR INDENTED CHARACTERS ON HOISTWAY ENTRANCES

All elevator hoistway entrances shall have raised or indented floor designations provided on both jambs. The centerline of the characters shall be 60-in (1525mm) from the floor. Such characters shall be 2-in (50mm) high and shall comply with 12.1. Permanently applied plates are acceptable if they are permanently fixed to the jambs. (See Revised Figure 7.1.3).

~~7.1.6 All hoistway entrances shall have visible and audible signals to indicate an approaching car and its direction of travel. The centerline of the visible signal shall be a minimum of 6'-0" from the lobby floor. Arrow shapes for directional indication to be consistent with the direction of travel of the elevators shall be used. Each symbol shall be 2½" high. They shall be visible from the proximity of the lobby call buttons. The color white shall be used for the "up" symbol and red shall be used for the "down". Audible signals shall sound once for the "up" elevator and twice for the "down" elevator. The use of in-car lanterns are acceptable, and they shall be visible from the area in front of the call button.~~

CAPITAL DEVELOPMENT BOARD

TEXT OF EMERGENCY RULES

7.1.6 DOOR PROTECTIVE AND REOPENING DEVICE

Elevator doors shall open and close automatically. They shall be provided with a reopening device that will stop and reopen a car door and hoistway door automatically if the door becomes obstructed by an object or person. The device shall be capable of completing these operations without requiring contact for an obstruction passing through the opening at heights of 5-in and 29-in (125mm and 735mm) from the floor (see Revised Figure 7.1.3). Door reopening devices shall remain effective for at least 20 seconds. After such an interval, doors may close in accordance with the requirements of ANSI A17.1-1978 and A17.1a-1979.

~~7.1.7~~ The minimum acceptable time from visual and audible notification that a car is answering a call until the doors of that car start to close shall be calculated from the following equation:

$$T = \frac{D}{1.5 \text{ ft./sec.}}$$

Where ~~T~~ = total time in seconds

~~D~~ = distance in feet from a point in the center of the lobby or corridor (maximum 5'-0") directly in front of the furthest call button to the centerline of the hoistway door.

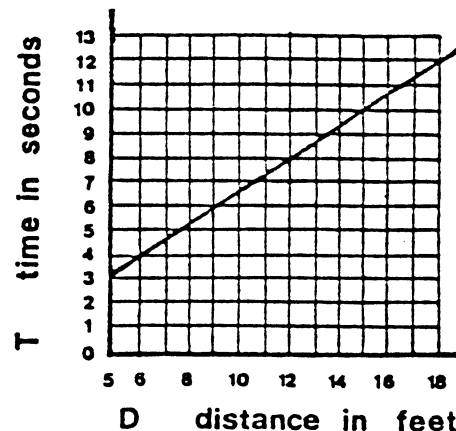
For cars with in-car lanterns, T begins when the lantern is visible.

7.1.7 DOOR AND SIGNAL TIMING FOR HALL CALLS

The minimum acceptable time from notification that a car is answering a call until the doors of that car start to close shall be calculated from the following equation:

$$T = \frac{D}{1.5 \text{ ft/s}} \quad \text{or} \quad T = \frac{D}{455 \text{ mm/s}}$$

where T = total time in seconds and D = distance (in feet or millimeters) from a point in the lobby or corridor 60-in (1525 mm) directly in front of the farthest call button controlling that car to the centerline of its hoistway door (see Revised Figure 7.1.7).



GRAPH OF TIMING EQUATION

REVISED FIGURE 7.1.7

ILLINOIS REGISTER

CAPITAL DEVELOPMENT BOARD

TEXT OF EMERGENCY RULES

For cars with in-car lanterns, T begins when the lantern is visible from the vicinity of hall call buttons and an audible signal is sounded.

7.1.8- The minimum time in response to car calls for elevator doors to remain fully open shall be 3 seconds. Door reopening devices shall remain effective for a period of at least 20 seconds. After this time, doors may close in accordance with ANSI Safety Code for Elevators, Dumbwaiters, Escalators and Moving Walks—A17.1—1971.

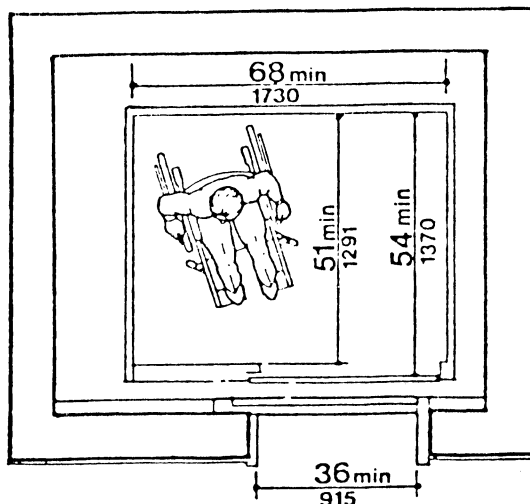
7.1.8 DOOR DELAY FOR CAR CALLS

The minimum time for elevator doors to remain fully open in response to a car call shall be 3 seconds.

7.1.9- The elevator operation shall be automatic and each car shall be provided with a self-leveling feature which will automatically bring the car to the floor landings within a tolerance of $\pm \frac{1}{2}$ " under rated loading to zero-loading conditions. This self-leveling feature shall, within its zone, be entirely automatic and independent of the operating device, and shall correct for overtravel or undertravel.

7.1.9 FLOOR PLAN OF ELEVATOR CARS

The floor area of elevator cars shall provide space for wheelchair users to enter the car, maneuver within reach of controls, and exit from the car. Acceptable door opening and inside dimensions shall be as shown in Revised Figure 7.1.9. The clearance between the car platform sill and the edge of any hoistway landing shall be no greater than 1/4-in (32 mm).



NOTE: Elevator cars with a minimum width less than that at left but no less than 54 in. (1370 mm) are allowed for elevators with capacities of less than 2,000 lbs. A center opening door application may necessitate increasing the 68 in. (1730 mm) dimension.

MIN. DIMENSIONS OF ELEVATOR CARS

REVISED FIGURE 7.1.9

ILLINOIS REGISTER

CAPITAL DEVELOPMENT BOARD

TEXT OF EMERGENCY RULES

~~7.1.10 The minimum clear door width shall be as specified in Table 7.1.12, Standard Sizes of Accessible Elevator Cars.~~

7.1.10 FLOOR SURFACES

Floor coverings shall comply with 13.1.

~~7.1.11 Elevator doors shall open and close by automatic means. They shall be provided with a reopening device which will stop and reopen a car door and adjacent hoistway door automatically if the door is obstructed by an object or person while closing. The reopening device shall be capable of completing these operations without requiring contact for operation if the object or person passes through sensing devices located at a height of 5" and 2'-5" from the floor, as shown in Figure 7.1.11.~~

7.1.11 ILLUMINATION LEVELS

The level of illumination at the car controls, platform, and car threshold and landing sill shall be at least 5 footcandles (53.8 lux).

~~7.1.12 The floor plan of elevator cars shall allow people in wheelchairs to enter and leave the car, and space to maneuver to reach the controls. The minimum acceptable inside dimensions of cars of standard sizes are shown in Figure 7.1.12 and Table 7.1.12.~~

7.1.12 CAR CONTROLS

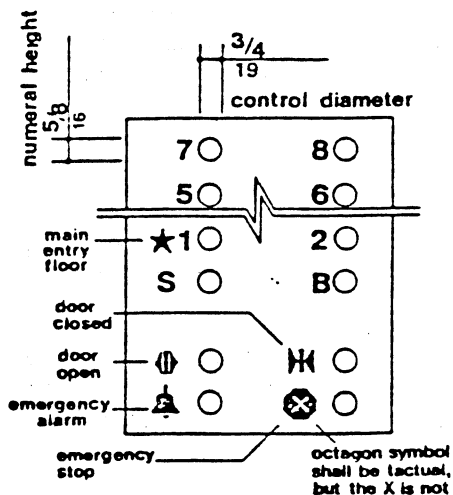
Elevator control panels shall have the following features:

1. Buttons. All control buttons shall be at least 3/4-in (19mm) in their smallest dimension. They may be raised, flush, or recessed.
2. Tactile and Visual Control Indicators. All control buttons shall be designated by raised or indented standard alphabet characters for letters, arabic characters for numerals, or standard symbols as shown in Revised Figure 7.1.12(a), and as required in ANSI A17.1-1978 and A17.1a-1979. Raised and indented characters and symbols shall comply with Section 12.1. The call button for the main entry floor shall be designated by a raised or indented star at the left of the floor designation (see Revised Figure 7.1.12(a)). All raised or indented designations for control buttons shall be placed immediately to the left of the button to which they apply. Applied plates, permanently attached, are an acceptable means to provide raised or indented control designations. Floor buttons shall be provided with visual indicators to show when each call is registered. The visual indicators shall be extinguished when each call is answered.

CAPITAL DEVELOPMENT BOARD

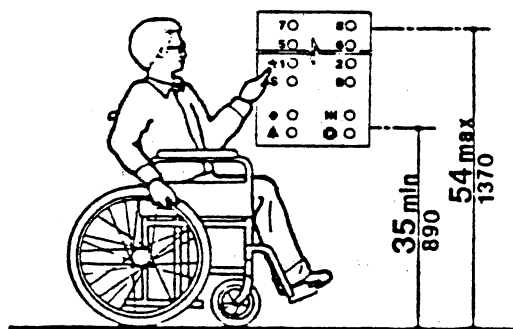
TEXT OF EMERGENCY RULES

3. Height. Floor buttons shall be no higher than 54-in (1370mm) above the floor except that cars with a width of less than 5'-0" shall have floor buttons no higher than 48-in (1220mm). Emergency controls, including the emergency alarm and emergency stop, shall be grouped at the bottom of the panel and shall have their centerlines no less than 35-in (890mm) above the floor (see Revised Figure 7.1.12(a) and (b)).
4. Location. Controls shall be located on a front wall if cars have center opening doors, and at the side wall or at the front wall next to the door if cars have side opening doors (see Revised Figure 7.1.12(c) and (d)).



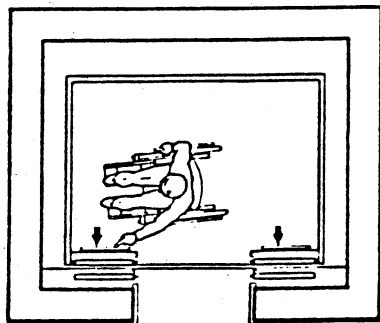
PANEL DETAIL

(a)



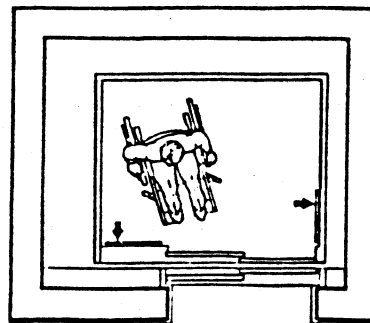
CONTROL HEIGHT

(b)



ALTERNATE LOCATIONS OF PANEL WITH CENTER OPENING DOOR

(c)



ALTERNATE LOCATIONS OF PANEL WITH SIDE OPENING DOOR

(d)

CAR CONTROLS

REVISED FIGURE 7.1.12

ILLINOIS REGISTER

CAPITAL DEVELOPMENT BOARD

TEXT OF EMERGENCY RULES

~~7.1.13 In buildings over three stories, one elevator shall be installed with the capability of carrying an ambulance stretcher of 6'-0" x 2'-0" without tilting it to gain access.~~

7.1.13 CAR POSITION INDICATORS

In elevator cars, a visual car position indicator shall be provided above the car control panel or over the door to show the position of the elevator in the hoistway. As the car passes or stops at a floor served by the elevators, the corresponding numeral shall illuminate and an audible signal shall sound. Numerals shall be a minimum of ½-in (13mm) high. The audible signal shall be no less than 20 decibels with a frequency no higher than 1500 Hz. An automatic verbal announcement of the floor number at which a car stops or which a car passes may be substituted for the audible signal.

~~7.1.14 The location of elevator controls shall comply with the requirements illustrated in Figure 7.1.14 and be readily accessible from a wheelchair upon entering an elevator. Raised characters shall be ½" high and raised 1/32" from the surface, have sharply defined edges, and contrast in color with the face plate. Permanently applied plates are acceptable. Raised characters shall be to the left of the buttons. Emergency controls shall be grouped at the bottom of the control panel and be 2'-11" from the floor level to the center of the emergency button. The highest floor buttons shall be no higher than 4'-6" from the floor level to the center of the buttons. When two rows of buttons are required, odd numbers shall occur on the left hand side and even numbers on the right hand side. Where three rows are necessary, the buttons shall be numbered from the bottom, left to right, as shown in Figure 7.1.14. A blank button shall be required for floor 13, when that floor identification does not occur in the building (for superstitious reasons). Raised buttons are preferred, but recessed buttons are acceptable providing the recess does not exceed ¼". The minimum size of the button shall be ¾", not including any lighting around the button. Visual indication shall be provided to show each call registered and extinguished when that floor is reached. Standard symbols shall be used to designate essential controls and shall be as shown in Figure 4.1.14.~~

7.1.14 EMERGENCY COMMUNICATIONS

If provided, emergency two-way communication systems between the elevator and a point outside the hoistway shall comply with ANSI A17.1-1978 and A17.1a-1979. The highest operable part of a two-way communication system shall be a maximum of 54-in (1370 mm) from the floor of the car. It shall be identified by raised or recessed symbol and lettering complying with Section 12.1 and located adjacent to the device. If the system uses a handset, then the length of the cord from the panel to the handset shall be at least 29-in (735mm).

~~7.1.15 A car position indicator shall be provided above the car control panel or over the opening in each car to show the position of the elevator in the hoistway. As the car passes or stops~~

ILLINOIS REGISTER

CAPITAL DEVELOPMENT BOARD

TEXT OF EMERGENCY RULES

at floors served by the elevator, the corresponding numeral shall illuminate and an audible signal shall sound. Numerals shall be a minimum of ½" high. The audible signal shall be no less than 20 dB. An automatic verbal announcement of the floor number at which the car stops may be substituted for the above audible signal, and is preferred.

7.1.15 HANDRAILS

Handrails shall be provided on the side walls of the car, and preferably on the side and rear walls, mounted at a height between 2'-8" and 3'-0" from the floor of the car. The rail shall have 1½" clearance between the wall and the rail. See Section 6.3 for handrail selection.

- 7.1.16 ~~Handrails shall be provided on the side walls of the car and preferably on the side and rear walls, mounted at a height of 2'-6" to 2'-8" from the floor of the car. The rail shall have 1½" clearance between the wall and the rail. See Section 6.3 for handrail selection.~~
- 7.1.17 ~~An emergency two-way communication system between the elevator and a point outside the hoistway shall be provided. If the system is normally connected to the building power supply, it shall automatically transfer to a source of emergency power within 10 seconds of the failure of normal power supply. The emergency power source shall be capable of providing two-way communication for at least 4 hours. The highest operable part of a two-way communication system shall be a maximum of 4'-0" from the floor of the cab. The location of the communication system shall be identified with a raised symbol adjacent to the device. A system without handset is preferred. A light shall also be provided to signal to any deaf person who may be trapped in an elevator when his emergency call has been answered.~~
- 7.1.18 ~~There shall be no sharp edges or rough surfaces in the elevator car or hoistway opening.~~
- 7.1.19 ~~The floor finish shall be slip resistant, see Section 13.1, Ground and Floor Surfaces. When carpet is used in the car, it shall be laid without underlay, securely attached to the floor and have a tight weave and low pile. Uncut pile is preferred.~~
- 7.1.20 ~~The gap between the threshold of the elevator car and the lobby floor (running clearance) shall be no wider than 1¼".~~
- 7.1.21 ~~The minimum illumination at the car controls, car threshold and landing sill shall be at least 5 footcandles.~~
- 7.1.22 ~~Where remodeling is taking place, and an existing elevator will not permit a wheelchair to turn, the control panel shall be relocated on the side wall, and not in the door wall. A mirror shall be placed on the wall opposite the door, so the floor position indicator will be reflected and be visible to a person sitting in a wheelchair, or a second floor position indicator shall be installed in the rear wall.~~

ILLINOIS REGISTER

CAPITAL DEVELOPMENT BOARD

TEXT OF EMERGENCY RULES

7.2 PLATFORM LIFTS

7.2.1 LOCATION

Platform lifts may be used as a part of an accessible route if no other alternative is feasible.

7.2.2 COMPLIANCE

If platform lifts are used, they shall comply:

- a. With Section 2.3.2 (Space Requirements for Maneuvering Wheelchairs), Section 13.1 (Ground and Floor Surfaces), Section 2.3.3 (Reaching from a Wheelchair), and Section 14.1 (Location of Controls, Dispensers and Receptacles).
- b. With applicable safety regulations of administrative authorities having jurisdiction.
- c. With additional minimum requirements of Sections 7.2.3 through 7.2.15.

7.2.3 A raising or lowering mechanism permanently installed, designed for use by the handicapped with a vertical travel not to exceed 7 feet and a maximum platform size of 20 square feet. The platform surface to be skid-resistant.

7.2.4 The minimum capacity shall be based at 50 pounds per square foot of platform area and shall have a maximum travel speed of 20 feet per minute.

7.2.5 On sides not used for ingress or egress rigid panels shall be installed on the platform with a minimum height of 42 inches.

7.2.6 Hoistway sides not used for ingress or egress shall be provided with floor mounted panels to extend to the height of the upper landing rail.

7.2.7 A minimum 6 inch mechanically operated platform guard shall be installed at the entrance side facing the lower level.

7.2.8 A solid skirt guard shall be attached to the platform to protect the exposed vertical openings.

7.2.9 The upper level shall be provided with a metal guard or gate at least 42 inches high and hinged at one end, equipped with a mechanical latch, electric contact, and gate closer. The gate can be opened only when the platform is at the upper landing.

ILLINOIS REGISTER

CAPITAL DEVELOPMENT BOARD

TEXT OF EMERGENCY RULES

7.2.10 A Limit Switch to stop the movement of the platform shall be installed on the upper level. Means shall be provided to maintain the platform level at the upper landing.

7.2.11 A constant pressure control station with up and down markings shall be located on the platform. The station shall be located midway front to back at a height between 36 and 42 inches above the platform. The upper and lower landings shall have a constant pressure control station marked CALL ONLY. An emergency alarm bell shall be provided.

7.2.12 All electrical wiring, piping and raceways shall comply with the applicable requirements of the Chicago Electrical Code and/or the current edition of the National Electrical Code.

7.2.13 Minimum illumination of 5 footcandles shall be provided at the platform and controls.

7.2.14 There shall be no abrupt changes in levels more than ½" at platform entries.

7.2.15 Maximum pressure to open gate not to exceed eight pounds.

~~8.1 — PUBLIC TOILET ROOMS~~

~~Buildings required by code to have toilet facilities shall have accessible and usable toilets and related fixtures for use by disabled people. Design and location of personal hygiene facilities shall provide the same conditions and privacy for all users. Each public toilet room shall have one accessible water closet and related facilities.~~

8.1 PUBLIC TOILET ROOMS

Buildings and occupancies required by code to have a "minimum number of plumbing fixtures" shall have toilet rooms and related fixtures accessible to and usable by handicapped persons as required herein. Design and location of personal hygiene facilities shall provide the same conditions and privacy for all users. Each public toilet room shall have one accessible water closet and related facilities.

The word "public" as used in relation to Toilet Rooms shall be as defined in Section 1.1.3 and shall include facilities required for the use of visitors and employees. "Required" means those Toilet Rooms and numbers of fixtures required by the Illinois State Plumbing Code or any applicable municipal code authorized by the Illinois Plumbing License and Code Law.

8.1.1 Toilets shall be located adjacent to accessible circulation paths and comply with the requirement of Section 5.1, Interior Circulation Routes. Visual and tactile directions shall be given in circulation areas, and comply with the requirements of Section 12.1, Communication and Identification.

CAPITAL DEVELOPMENT BOARD

TEXT OF EMERGENCY RULES

- 8.1.2 The symbol and/or name on the toilet room door shall be raised at least 1/32" from the surface. The characters shall be at least 2½" high and shall be mounted 4'-6" to 5'-0" from the floor surface. The symbol or character shall be in a contrasting color from the background, see Section 12.1.4, Communication and Identification.
- 8.1.3 Toilet room doors shall have a minimum clear width of 2'-8", smooth surfaces, preferably no threshold, and at least 1'-6" clearance at the handle side of the door for wheelchair maneuvering, see Section 4.1, Entrances, Doors and Doorways. Where door vents are required, they shall be located so that they will not interfere with the drive rim or footrests of wheelchairs, see Section 2.3.1, Dimensions of Wheelchairs. Door Handles shall meet the requirements of Section 4.2, Door Handles.
- 8.1.4 Where there is a passage way from the corridor/toilet entrance to the toilet room, for modesty purposes, the dimensions and configurations shall meet the requirements of Section 2.3.2, Space Requirements for Maneuvering Wheelchairs, and Figure 8.1.4. There shall be no abrupt change in level between the toilet room floor and corridor floor, or with any part of the toilet room. Thresholds shall be bevelled to allow wheelchair access, see Section 4.1.10, Entrances, Doors and Doorways.

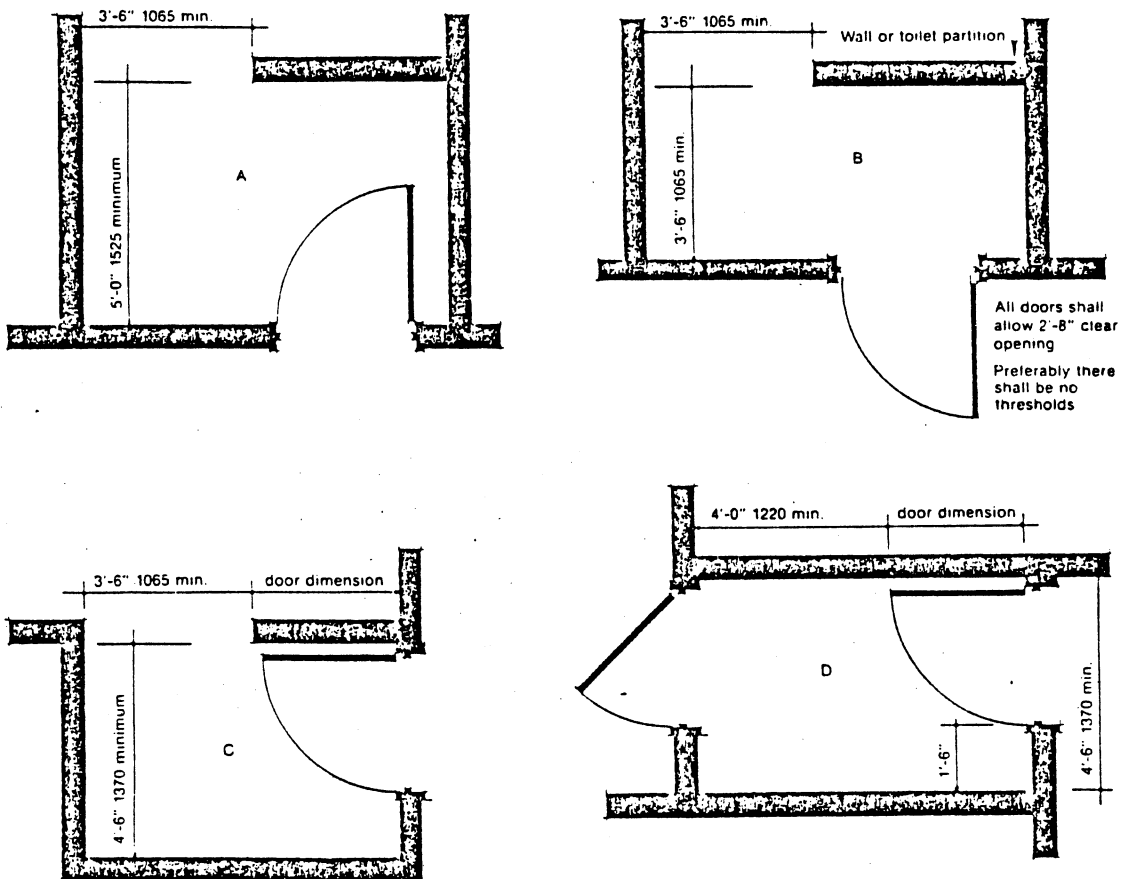


Figure 8.1.4
Examples of circulation requirements alongside modesty screens.

CAPITAL DEVELOPMENT BOARD

TEXT OF EMERGENCY RULES

- 8.1.5 The toilet room floor finish shall be slip resistant, particularly when wet. See Section 13.1, Ground and Floor Surfaces.
- 8.1.6 Where the required number of fixtures, as established by the 1976 Illinois State Plumbing Code, indicates that a single, individual toilet room is adequate, that toilet room shall comply with all the requirements for accessibility under Section 8.1, Public Toilet Rooms.
- ~~8.1.7 At least one toilet stall in every toilet room, including employee facilities, shall be usable by people in wheelchairs or who use walking aids. The accessible toilet stall shall have a minimum of 5'-0" x 5'-0" clear internal dimensions. The door shall swing out and have a 2'-8" clear opening. Opening and locking devices shall not require a pinching or twisting of the wrist to operate. Toilet stalls of minimum size shall have wall mounted water closets. Floor mounted water closets are acceptable if the depth of the stall is increased to 6'-0". Water closets shall be located 1'-6" from the right or left hand partition to the center line of the fixture. Flushing mechanisms shall be automatic or operable without extremes of bending, reaching or twisting, and shall be activated by a non-precise movement requiring a light pressure. Such toilets shall have grab bars that comply with Figure 8.1.7A and 8.1.7B. Grab bars shall meet the requirements of Section 14.2, Supports. The height of the toilet seat shall be 1'-5" to 1'-7", measured from the floor to the top of the toilet seat. Accessible toilets shall have toilet seats with covers. Maneuvering space in front of toilet stall door shall be a minimum of 3'-6" in width. Wall and ceiling hung partitions are preferred to floor mounted partitions. See Figure 8.1.7C.~~
- 8.1.7 Public (see Section 1.1.3) Toilet Rooms are divided into two categories - those for single person use and those for use of several persons simultaneously. Minimum numbers of fixtures for each sex shall be as required by the Illinois State Plumbing Code or any applicable municipal code authorized by the Illinois Plumbing License and Code Law with the establishment of single or multiple use being the prerogative of the designer.

At least one toilet stall (and its related components) in every public toilet room shall be accessible in accordance with these Standards.

Each public building shall include at least one water closet for each sex which permits side transfer, and at least one water closet which permits side transfer for each sex every fourth floor on multi-story buildings where fixtures are required by the Illinois State Plumbing Code or any applicable municipal code authorized by the Illinois Plumbing License and Code Law. Contingent upon the toilet room category, arrangements of fixture location clear floor space, toilet stall and door (as required) grab bars, and dispensers shall meet the requirements shown in Revised Figure 8.1.7A, or the Standard Stall of Revised Figure 8.1.7B. All other water closets required to be accessible may follow the requirements for the Alternate Stall, Revised Figure 8.1.7B. Side transfer arrangements may be either right or left handed.

ILLINOIS REGISTER

CAPITAL DEVELOPMENT BOARD

TEXT OF EMERGENCY RULES

Water closets shall have elongated type bowls, be 17" to 19" from the finished floor to the top of the seat, and seats shall have closed front with covers. Seats and covers shall not be spring loaded and shall be capable of remaining in an upright position. Flushing mechanism shall be automatic or operable with one hand without extremes of bending, reaching or twisting, and shall be activated by a nonprecise movement requiring a light pressure no greater than 5 lbf. Locate controls for flush valves maximum 44" above the floor.

Grab bars complying with the length and positioning shown in the applicable Revised Figures 8.1.7A, 8.1.7B, and 8.1.7C shall be provided. Requirements are not interchangeable. Grab bars may be mounted by any desired method as long as they have a gripping surface at the location shown and do not obstruct the required clear floor area. Grab bars shall not rotate within their fittings. Grab bars shall meet the requirements of Section 14.2, Supports.

A grab bar and any wall or other surface adjacent to it shall be free of any sharp or abrasive elements. Edges shall have a minimum radius of 1/8".

The size and arrangement of accessible toilet stalls shall comply with Revised Figure 8.1.7B. Toilet stalls with a minimum depth of 56" (Standard Stall) or 66" (Alternate Stall) shall have wall-mounted water closets. If the depth of toilet stalls is increased at least 3", then a floor-mounted water closet may be used. In the Standard Stall (Revised Figure 8.1.7B), the front partition and at least one side partition shall provide a toe clearance of at least 9". If the depth of the stall is greater than 60", then the toe clearance is not required.

Toilet stall doors, Revised Figure 8.1.7B, shall swing out and have a 32" clear opening. Opening or locking devices shall not require a pinching or twisting of the wrist to operate. Doors to toilet rooms, Revised Figure 8.1.7A, shall swing out and meet requirements of Section 8.1.3, unless the minimum dimensions are increased so that the arc of an inswinging door does not infringe upon the required clear floor space.

Maneuvering space in front of toilet stall door shall be a minimum of 3'-6" in width.

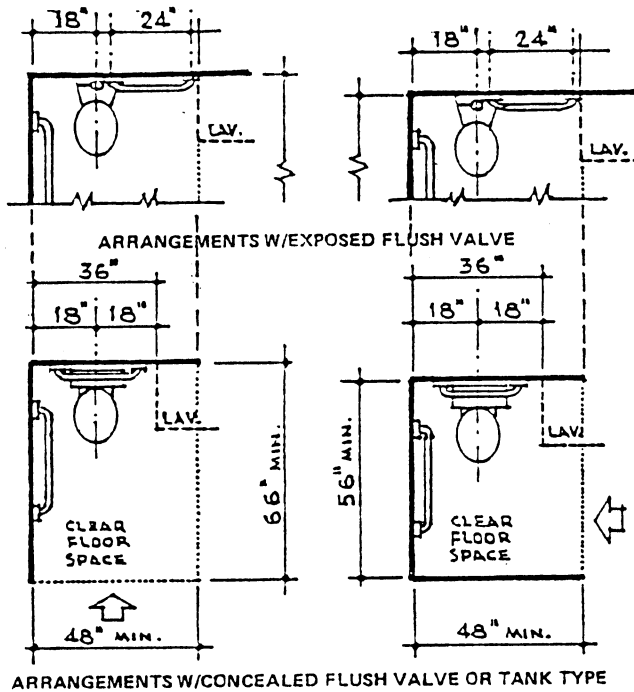
8.1.8 Tissue dispensers shall be placed 2'-10" to the center from the rear wall on the side wall closest to the toilet bowl, and shall be mounted immediately below the grab bar.

~~8.1.9 Space planning of toilet rooms shall allow front approach to all lavatories, see Section 2.3.2, Space Requirements for Maneuvering Wheelchair. Clearance under all lavatories shall be 2'-6" minimum from the floor to the underside of the apron, and 2'-10" maximum to the top of the lavatory bowl. Exposed hot-water pipe and drain shall be fully insulated if the water temperatures exceed 105° F. Undersurfaces of lavatories shall be smooth.~~

8.1.9 At least one lavatory in every public toilet room shall be accessible and usable by people in wheelchairs or who use walking aids. Space planning shall allow front approach to this

CAPITAL DEVELOPMENT BOARD

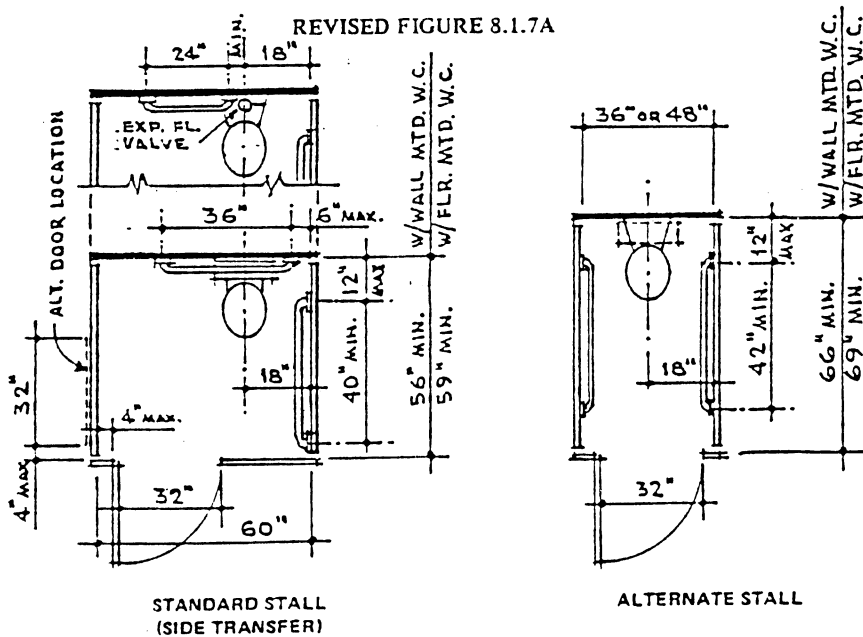
TEXT OF EMERGENCY RULES



ARRANGEMENTS W/CONCEALED FLUSH VALVE OR TANK TYPE

CLEAR FLOOR SPACE AT WATER CLOSETS

REVISED FIGURE 8.1.7A



STANDARD STALL
(SIDE TRANSFER)

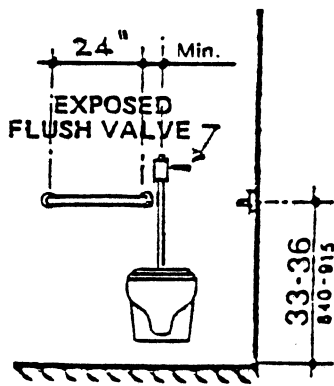
ALTERNATE STALL

REVISED FIGURE 8.1.7B

CAPITAL DEVELOPMENT BOARD

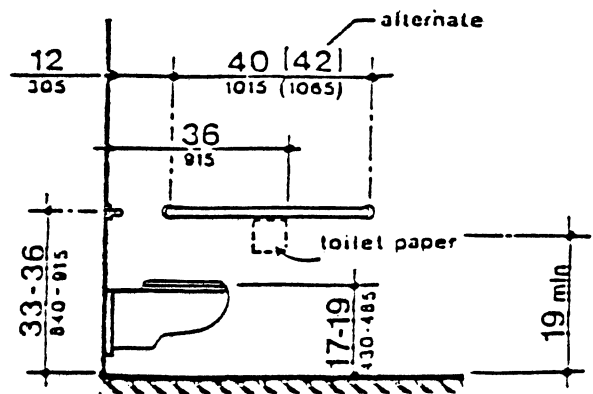
TEXT OF EMERGENCY RULES

REAR WALL
W/FLUSH VALVE



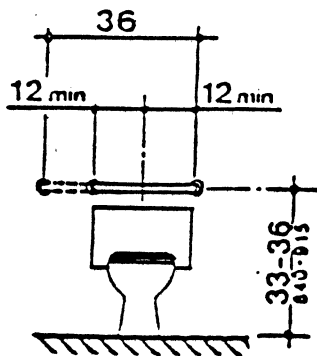
STANDARD STALL

SIDE WALL(S)



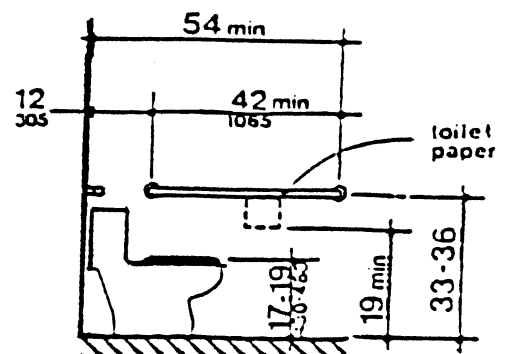
STANDARD OR ALTERNATE STALL

REAR WALL
W/FLR. MTD. TANK TYPE



STANDARD STALL

SIDE WALL(S)



STANDARD OR ALTERNATE STALL

GRAB BARS AT WATER CLOSETS - SEE REVISED FIGURES 8.1.7A & B

REVISED FIGURE 8.1.7C

ILLINOIS REGISTER

CAPITAL DEVELOPMENT BOARD

TEXT OF EMERGENCY RULES

lavatory, see Section 2.3.2, Space Requirements for Maneuvering Wheelchair. Clearance under lavatory shall be 2'-6" minimum from the floor to the underside of the apron, and 2'-10" maximum to the top of the lavatory bowl, see Figure 8.1.9. There shall be at least 1'-3" clear width to each side of the centerline of the lavatory to facilitate the wheelchair approach. Exposed hot water and drain pipes shall be fully insulated if the water temperature exceeds 105° F. Undersurfaces of lavatory shall be smooth.

- 8.1.10 Faucets shall have a lever, blade, or multi-arm type handle or other design that does not require grasping or twisting of the wrist as the only means of operation. Single lever controls are preferred. Forces needed to activate the faucets should be as small as possible and shall be no greater than 3 lbf. Spring-operated faucets are not acceptable unless they meet these requirements and have a delay feature which allows the water to run for at least 10 seconds after the hand is removed from the faucet.
- 8.1.11 The "hot" faucet shall always be on the left-hand side of the lavatory and the "cold" faucet shall be on the right-hand side. The temperature of the hot water shall be no greater than 105° F. at the faucet.
- 8.1.12 ~~There shall be sufficient floor area in front of, and under, a wall-mounted urinal to allow a wheelchair approach to bring the front edge of the seat to the lip. At least one wall-mounted urinal shall have an elongated lip and be mounted 1'-3" to 1'-5" from the floor surface to the top of the lip. There shall be at least 1'-4" clear width to each side of the centerline of the urinal to facilitate wheelchair approach.~~
- 8.1.12 There shall be sufficient floor area in front of, and under, one accessible wall-mounted urinal in every male public toilet room to allow a wheelchair approach to bring the front edge of the seat to the lip. The urinal shall be mounted with the top of the lip 1'-3" to 1'-5" above the floor surface. There shall be at least 1'-4" clear width to each side of the centerline of the urinal to facilitate the wheelchair approach.
- 8.1.13 All mirrors shall be mounted with the bottom edge no higher than 3'-2" from the floor surface.
- 8.1.14 Dispensers and receptacles shall be located so that they do not interfere with circulation, shall be free from hazards, rough surfaces or sharp edges and convenient to use. Dispensers and receptacles shall be mounted so that the highest operable part shall be no higher than 3'-4" above the floor surface.
- 8.1.15 Dispenser controls shall not require grasping or twisting of the wrist to operate and shall be operable by nonprecise movement.
- 8.1.16 Hot air hand drying equipment shall be designed so that hands cannot accidentally touch the heating element. The surface temperature of any part of a hand drier directing warm

ILLINOIS REGISTER

CAPITAL DEVELOPMENT BOARD

TEXT OF EMERGENCY RULES

air shall not exceed 105⁰ F. Alternate methods of hand drying shall be provided where this temperature is exceeded.

12 COMMUNICATION AND IDENTIFICATION

12.1 SIGNAGE

• • •

12.1.2 Where room identification signs and numbers are used, they shall have raised or indented characters. These signs shall be placed in a standardized location throughout the building alongside the door at the latch side, and mounted at a height range of 4'-6" to 5'-0". Raised Characters shall be raised or indented at least 1/32", have sharply defined edges, and be at least 5/8" high.

• • •

12.2 EMERGENCY WARNING SIGNALS AND ALARMS

Emergency warning signals and alarms shall be located and designed so that they can be easily seen, heard and understood.

12.2.1 Both visual and audible emergency warning systems shall be provided. Illuminated emergency exit signs shall flash as a visual emergency alarm with a frequency not exceeding 5 Hz. Audible emergency alarms shall produce a sound level which exceeds the normal prevailing equivalent sound level at the intended listeners ears by at least 15 dB. Alarm signal sound levels shall not exceed 120 dB.

12.2.2 Visual emergency alarm devices shall be located so that the signal and/or reflection shall be seen anywhere in the space. If such systems utilize a permanently installed electrical power source, they shall be installed on the same circuit as the audible emergency alarms. Visual emergency alarm devices may also be wireless and portable, and be provided by the building owner or management for use at the request of a deaf person. If portable visual emergency alarm devices are selected, at least two shall be available.

~~12.2.3 Emergency exit manual door openers shall be identifiable by tactile means. These openers shall have a roughened surface on the parts of the opener that come into contact with the hand. This change of texture may be achieved by knurling or the application of an abrasive finish to the handle, and shall be standardized throughout a building or facility.~~

12.2.4 Areas or spaces with microwave ovens shall be identified for the benefit of people with heart pacemakers. See Figure 12.2.4.

12.2.5 Fire alarm devices shall be located 3'-4" to 4'-0" from the floor level to the center line of the operable mechanism, and meet the requirements of Section 14.1, Controls, Dispensers and Receptacles.

CAPITAL DEVELOPMENT BOARD

TEXT OF EMERGENCY RULES

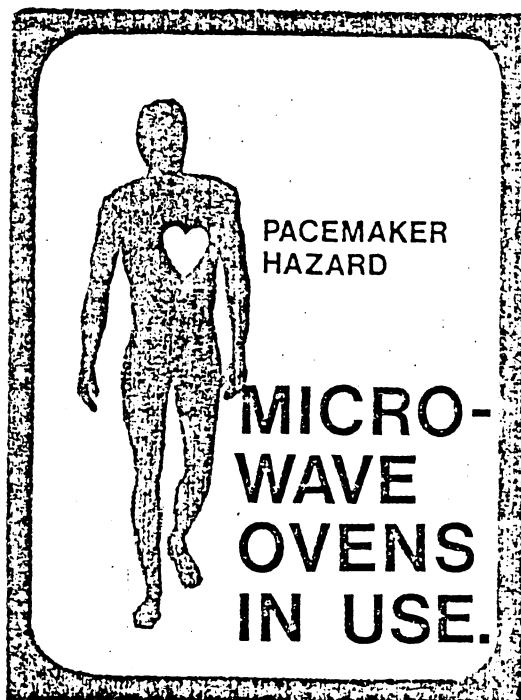


Figure 12.2.4
Example of sign with microwave oven warning.

~~16.8 SERVICE COUNTERS~~

16.8 SERVICE COUNTERS, SEATING, FIXED TABLES AND WORK SURFACES

~~16.8.1 All areas that are used for business transactions shall be accessible.~~

16.8.1 MINIMUM NUMBER

If fixed or built-in service counters, seating, fixed tables or work surfaces are provided in accessible spaces, five percent (5%), but always at least one, of serving counters, seating, fixed tables, or work surfaces shall comply with Section 16.8.

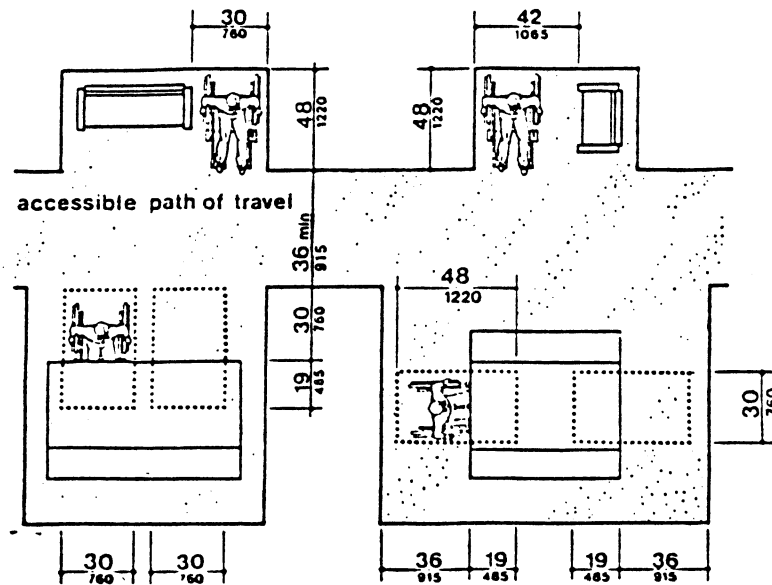
~~16.8.2 Where service counters exceeding 3'-0" in height are provided for standing counters, an auxiliary counter or other space suitable for the business transaction shall be provided in the immediate vicinity and provide the same services. The auxiliary countertop shall not exceed 3'-0" in height from the floor, and if required for writing purposes, as in banks, hotels, etc., then space shall be provided to allow a wheelchair to pull up below the counter top and be a minimum of 2'-6" clear to the floor, 2'-8" wide and 2'-0" deep.~~

CAPITAL DEVELOPMENT BOARD

TEXT OF EMERGENCY RULES

16.8.2 SEATING

Seating spaces for people in wheelchairs (to be provided at tables, counters, or work surfaces) shall be provided with clear floor space complying with Sections 2.3.2, 2.3.3 and 2.3.4. Such clear floor space shall not overlap knee space by more than 19-in (485mm). See Revised Figure 16.8.2.



MINIMUM CLEARANCES FOR SEATING AND TABLES

REVISED FIGURE 16.8.2

~~16.8.3 Cafeteria lines shall meet the applicable requirements of Section 5.1, Interior Circulation Routes. In addition, the height of counters for conveying trays shall be 3'-0" maximum, and the maximum reach to any dispenser shall be within reach limitations of wheelchair users unless employees are behind the cafeteria line at all times. See Figure 16.8.3.~~

16.8.3 KNEE CLEARANCES

Seating for people in wheelchairs (to be provided at tables, counters, and work surfaces) shall be provided with knee spaces at least 27-in (685mm) high, 30-in (760mm) wide, and 19-in (485mm) deep. See Revised Figure 16.8.2.

~~16.8.4 The clear width of the circulation space paralleling service counters shall be a minimum of 2'-8".~~

CAPITAL DEVELOPMENT BOARD

TEXT OF EMERGENCY RULES

16.8.4 HEIGHT OF WORK SURFACES

The top of tables, counters, and work surfaces shall be from 28-in to 34-in (710mm to 865mm) from the floor or ground.

~~16.8.5 Food shall be located at a maximum of 1'-8" from the edge of the counter.~~

16.8.5 AUXILIARY SERVICE COUNTERS

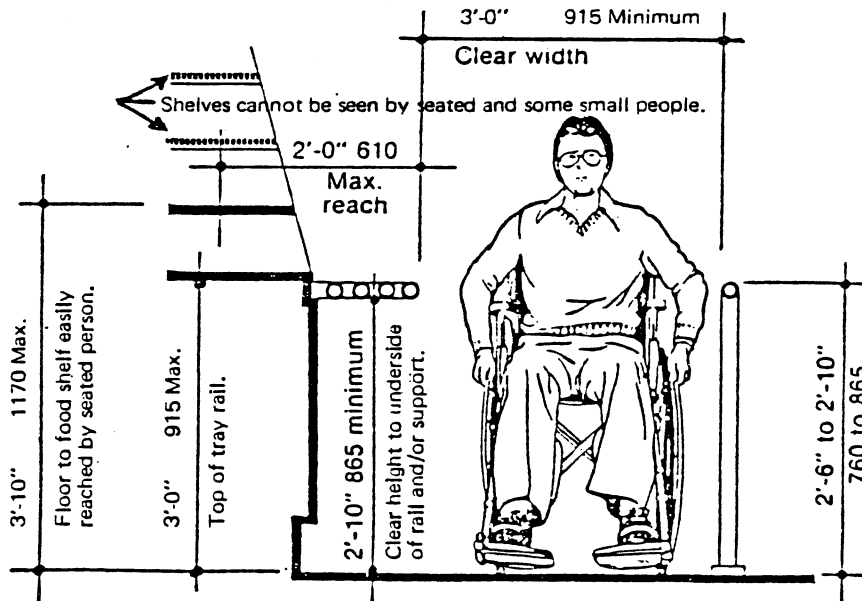
Where service counters exceeding 3'-0" in height are provided as standing counters, an auxiliary service counter or other space suitable for the business transaction by the handicapped shall be provided in the immediate vicinity and provide the same services. The auxiliary countertop shall meet the requirements of Section 16.8.2, 16.8.3, and 16.8.4.

~~16.8.6 Entry control devices shall not prevent access by handicapped persons. When turnstiles or narrow gates are required, alternate access shall be provided immediately adjacent the turnstile.~~

(This Section is transferred to Section 5.1.)

16.8.6 CAFETERIA LINES

Cafeteria lines shall meet the applicable requirements of Section 5.1, Interior Circulation Routes. In addition, the height of counters for conveying trays shall be 3'-0" maximum, and the maximum reach to any dispenser shall be within reach limitations of wheelchair users unless employees are behind the cafeteria line at all times. See Revised Figure 16.8.3.



CAFETERIA LINES
REVISED FIGURE 16.8.3

ILLINOIS REGISTER

CAPITAL DEVELOPMENT BOARD

TEXT OF EMERGENCY RULES

16.8.7 CIRCULATION SPACE

The clear width of the visitor circulation space paralleling service counters shall be in accordance with Revised Figure 16.8.2 and Section 5.1.

16.9 DINING HALLS – RESTAURANTS

•••

~~16.9.2 Tables shall have a minimum of 2'-6" clearance under the table top to the floor surface.~~

17.1 REMODELING

~~17.1.1 Remodeling embraces rehabilitation and renovation of existing buildings, including improvements, extensions, repairs, structural alteration, changes in design or layout, or changes in the occupancy of the building. Maintenance, redecoration, changes to the mechanical system, reroofing, or changes to interior landscaping shall not be included under remodeling requirements. The accessibility requirements shall be based on the amount of remodeling carried out and shall be determined by calculating the amount of interior floor area to undergo remodeling expressed as a percentage of the total interior square footage of the building. The requirements of these Standards are not retroactive.~~

17.1.1 Remodeling embraces rehabilitation and renovation of existing buildings, including improvements, extensions, repairs, structural alteration, changes in design function or layout of various room(s) or rearrangement of the means of egress, or changes in the occupancy group or classification as defined by the applicable building code.

The following items, if undertaken individually within any period of 30 months, shall not be included under remodeling requirements: maintenance; redecoration; replacement of the existing plumbing (except required fixtures), mechanical and electrical systems if not so extensive as to be classified as system rehabilitation; reroofing; tuck-pointing; major facade (store front) rehabilitation except changes to the entrance door; or changes to interior landscaping not in conflict with requirements above but including removal or relocation of non-structural partitions which do not penetrate the finished ceiling. Any work being done to a building shall comply with these Standards. Additions are classified as new work and shall comply with these Standards. The requirements of these Standards are not retroactive. The requirements of this Section (17.1) shall not be construed to exceed requirements for new construction.

~~17.1.2 If more than 50% of the interior square footage of a public building is to undergo remodeling, the entire building, including site requirements, shall conform to these Standards, to the extent shown in Table 17.1.2.~~

ILLINOIS REGISTER

CAPITAL DEVELOPMENT BOARD

TEXT OF EMERGENCY RULES

- 17.1.2 When the combined total cost of alterations or repairs within any period of 30 months falls within the percentage of reproduction cost shown, those items required by Section 17.1.2 through Section 17.6.2 (as appropriate to the area of the building and the percentage of reproduction cost of the building) shall be provided. Cost of the alterations or repairs shall be construed as the total actual combined cost of such alterations or repairs made within a specific period of time, including the value of rebates, discounts, free services and other gratuities not normally granted or received in such operations.
- ~~17.1.3~~ If 25% to 50% of the interior square footage of a public building is to undergo remodeling, that part of the building which is to be remodeled shall conform to these Standards, to the extent shown in Table 17.1.3.
- 17.1.3 For the purpose of this section, the reproduction cost of a building or structure shall be the estimated cost of constructing a new building of like size, design and materials at the site of the original structure assuming such site to be clear. The reproduction cost shall be determined by using the recognized standards of an authoritative technical organization.
- ~~17.1.4~~ If less than 25% of the interior square footage of a public building is to be remodeled, the building shall be made basically accessible, and conform to these Standards to the extent shown in Table 17.1.4.
- 17.1.4 Costs of alterations, additions and repairs as defined in this section shall not include normal maintenance, repairs and replacement of the furnishings or the equipment of a building necessary to maintain the building in the condition required under the ordinance (Code) in effect.
- ~~17.1.5~~ When remodeling is carried out in phases, the complete remodeling square footage shall be used to calculate the requirements of this standard, irrespective of the number of phases needed to complete the remodeling.
- 17.1.5 When remodeling is carried out in phases, within any period of 30 months, the total remodeling cost shall be used to calculate the requirements of this Standard, irrespective of the number of phases needed to complete the remodeling.
- ~~17.1.6~~ Doors which open into hazardous areas horizontal fire exits or fire stairs shall have knurled or textured openers, see Section 12.2.3, Emergency Warning Signals and Alarms.
- 17.1.6 When changes of occupancy (classification or occupancy group as defined by the applicable building code) occur to an existing building or facility, it shall be made accessible to handicapped people, even though other remodeling or renovation may not take place. Section 17.3 shall be followed for the minimum requirements.

ILLINOIS REGISTER

CAPITAL DEVELOPMENT BOARD

TEXT OF EMERGENCY RULES

~~17.1.7 When changes of occupancy (classification) occur to an existing building or facility, it shall be made accessible to handicapped people, even though other remodeling or renovation may not take place. Table 17.1.3 shall be followed for the minimum requirements.~~

17.2 GENERAL REQUIREMENTS

- a. Any remodeling or replacement work to the door(s), frame, and/or hardware of the major entrance of a public building shall result in an accessible entrance.
- b. New restaurants of any capacity constructed in remodeling buildings will require accessible toilet rooms within the building with a travel distance of not more than 200 feet from the restaurant and no more than one floor above or below.
- c. If hardware, controls, dispensers, receptacles, stairs or other features of the building included in this Standard, but not required under Section 17.3 through Section 17.6 are to be replaced or altered, then the requirements of the specific section of this Standard shall be followed.
- d. An accessible horizontal circulation route must be provided to all publicly used spaces WITHIN an area to be remodeled.

17.3 MAJOR REMODELING REQUIREMENTS

Building Area: All categories
 less than 3,000 gross sq. ft.
 3,000 to 10,100 gross sq. ft.
 over 10,000 gross sq. ft.

Remodeling Cost: Over 50% of Reproduction Cost

In this category for public buildings to undergo remodeling, the building, including site requirements, shall conform to all requirements of these standards for new construction.

17.4 REMODELING REQUIREMENTS - Small Buildings

17.4.1 Building Area: Less than 3,000 gross sq. ft.

Remodeling Cost: 25% - 50% of Reproduction Cost

In this category of public buildings to undergo remodeling, the building which is to be remodeled shall conform to these Standards to the extent shown below:

ILLINOIS REGISTER

CAPITAL DEVELOPMENT BOARD

TEXT OF EMERGENCY RULES

- a. At least one accessible path of travel from a site access point to an accessible entrance shall be provided in those cases where the distance from the property line to the building entrance can accommodate a ramp complying with Section 6.
- b. At least one accessible entrance which is used by the public, but shall not be an entrance used for servicing the building, shall be provided in those cases when an accessible path of travel to the building entrance exists, or is required under "a" above. Existing 5'-0" double-leaf door will suffice.
- c. One accessible toilet room for each sex, if such toilets are required in the building.

17.4.2 Building Area: Less than 3,000 gross sq. ft.

Remodeling Cost: 0 - 25% of Reproduction Cost

In this category of public buildings to undergo remodeling, the building which is to be remodeled shall conform to these Standards to the extent described in Section 17.2, General Requirements.

17.5 REMODELING REQUIREMENTS - Medium Size Buildings

17.5.1 Building Area: 3,000 - 10,000 gross sq. ft.

Remodeling Cost: 25% - 50% of Reproduction Cost

In this category of public buildings to undergo remodeling, the building which is to be remodeled shall conform to these Standards to the extent shown below:

- a. At least one accessible path of travel from a site access point to an accessible entrance shall be provided in those cases where the distance from the property line to the building entrance can accommodate a ramp complying with Section 6.
- b. At least one accessible entrance which is used by the public, but shall not be an entrance used for servicing the building, shall be provided. Existing 5'-0" double-leaf door will suffice.
- c. One accessible toilet room for each sex, if such toilets are required in the building.
- d. Accessible parking places and an accessible path of travel from the parking places to the accessible entrance shall be required where parking is provided. The number and requirements for places for disabled drivers shall conform to Section 3.5, Parking.

ILLINOIS REGISTER

CAPITAL DEVELOPMENT BOARD

TEXT OF EMERGENCY RULES

- e. Provide accessible vertical circulation to all publicly used spaces. Existing stairs and elevators may be utilized without full compliance with these Standards.

17.5.2 Building Area: 3,000 - 10,000 gross sq. ft.

Remodeling Cost: 0 - 25% of Reproduction Cost

In this category for public buildings to undergo remodeling, the building which is to be remodeled shall conform to these Standards to the extent described in Section 17.2, General Requirements.

17.6 REMODELING REQUIREMENTS - Large Buildings

17.6.1 Building Area: Over 10,000 gross sq. ft.

Remodeling Cost: 25% - 50% of Reproduction Cost

In this category of public buildings to undergo remodeling, the building which is to be remodeled shall conform to these Standards to the extent shown below:

- a. At least one accessible path of travel from a site access point to an accessible entrance shall be provided.
- b. At least one accessible entrance which is used by the public, but shall not be an entrance used for servicing the building, shall be provided. Existing 5'-0" double-leaf door will suffice.
- c. At least one accessible toilet for each sex shall be required for visitors and employees where toilets are provided. In buildings over 4 floors, there shall be one accessible toilet for each sex for every four floors. These toilets shall be on accessible paths of travel from the elevator lobby and shall be marked with the International Symbol of Accessibility on the corridor side of the door. Side access toilets are not required.
- d. Accessible parking places and an accessible path of travel from the parking places to the accessible entrance shall be required where parking is provided. The number and requirements for places for disabled drivers shall conform to Section 3.5, Parking.
- e. Provide accessible vertical circulation to all publicly used spaces. Existing stairs and elevators may be utilized without full compliance with these Standards.
- f. Accessible horizontal paths of travel to and into all publicly-used spaces within the space to be remodeled shall be provided. If the building has elevators, the controls

ILLINOIS REGISTER

CAPITAL DEVELOPMENT BOARD

TEXT OF EMERGENCY RULES

in these elevators shall meet the requirements of Section 7.1.12, Car Controls, and have accessible paths of travel from the lobby to the areas that are to be remodeled.

17.6.2 Building Area: Over 10,000 gross sq. ft.

Remodeling Cost: 0 - 25% of Reproduction Cost

In this category of public buildings to undergo remodeling, the building which is to be remodeled shall conform to these Standards to the extent shown below:

- a. At least one accessible path of travel from a site access point to an accessible entrance shall be provided in those cases where the distance from the property line to the building entrance can accommodate a ramp complying with Section 6.
- b. Provide one accessible toilet room for each sex, if such toilets are required in the building.

REVISIONS APPROVED PRIOR TO MARCH 1, 1980

1.1.3 DEFINITIONS

APARTMENT BUILDINGS, PRIVATELY OWNED AND FINANCED means all apartment buildings not constructed or financed by the State of Illinois and/or its political subdivisions.

PUBLIC BUILDING MEANS:

...

All publicly and privately owned buildings will comply with this Standard except single and two-family residences and the second and third stories of apartment buildings not served by elevators, and privately owned and financed apartment buildings.

1.1.6 REVISIONS TO STANDARDS

These Standards may be revised from time to time by the Capital Development Board. Revised standards shall be published as tentative versions. Public hearings shall be held within three months of publication of the tentative standards, if requested in writing by any interested person. Within six months after the publication of tentative standards, the Capital Development Board shall issue final standards. Tentative and final standards shall be filed with the Secretary of State in accordance with the Illinois Administrative Procedure Act, Ill.Rev.Stat., 1977, Ch. 127, Par. 1001, et seq."

3.5 PARKING

3.5.2 When parking areas are provided, they shall have handicapped parking spaces located as close as possible to the shortest accessible path of travel to each building, adjacent street or sidewalk served by that parking area. If passenger loading zones are provided, they shall be accessible to the handicapped and be close to the aforementioned path of travel. If walks are provided through the parking area, they shall follow the requirements of Section 3.2, Walks, Sidewalks.

16.1 RESIDENTIAL STRUCTURES

All publicly and privately owned residential structures shall conform to the following requirements except single and two-family residences and the second and third floors of apartment buildings not served by elevators and privately owned and financed apartment buildings. These are minimum requirements and do not satisfy the requirements for specialized housing built expressly for the handicapped or elderly.

16.9 DINING HALLS—RESTAURANTS

16.9.3 The clear width between fixed chairs shall be a minimum of 3'-0" back to back along the main access aisles.

17.1 REMODELING

17.1.1 Remodeling embraces rehabilitation and renovation of existing buildings, including improvements, extensions, repairs, structural alteration, changes in design or layout, or changes in the occupancy of the building. Maintenance, redecoration, changes to the mechanical system, reroofing, or changes to interior landscaping shall not be included under remodeling requirements. The accessibility requirements shall be based on the amount of remodeling carried out and shall be determined by calculating the amount of interior floor area to undergo remodeling expressed as a percentage of the total interior square footage of the building. The requirements of these Standards are not retroactive.

